

WATER AND DUST CAN VACUUM CLEANER ASHES AND AIR BLOWER

Instruction manual

TACI-305



TACI-307



Dear consumer, Please read these instructions carefully before use in order to avoid damage due to incorrect use and to better understand the functions of this product. Please pay particular attention to the safety guide.

If you pass the device on to a third party, these Operating Instructions must also be handed over.

IMPORTANT SAFEGUARDS

- ❑ Please read these instructions carefully before use.
- ❑ Keep present instructions for future references.
- ❑ Check that your mains voltage corresponds to that stated on the appliance.
- ❑ Only use the appliance for domestic purposes and household or similar applications such as:
 - Staff kitchen areas, in shops, offices and other working environments;
 - By clients in hotels, motels and other residential type environments;
 - Environment type like :
 - Farm Houses • Bed and Breakfast.
- ❑ Only use the appliance in the way indicated in these instructions.
- ❑ Never use this unit near bathtub, shower, wash-hand basins or other containers with water.
- ❑ Never use this apparatus near water projections.
- ❑ Never use this apparatus with the wet hands.
- ❑ If, unfortunately the apparatus is wet, immediately withdraw the cord of the socket-outlet.
- ❑ Inform potential users of these instructions.
- ❑ Never leave the appliance unsupervised when in use.
- ❑ The appliance must be used only for its intended purpose. No responsibility can be taken for any possible damage caused by incorrect use or improper handling.
- ❑ Children and persons with disabilities are not always aware of the danger posed by the use of appliances.
- ❑ This device can be used by children aged 8 years and older and adults, with reduced physical, sensory or mental capabilities or lack of experience and knowledge, if they have been given supervision or instruction concerning use of the appliance in a safe way and understand the hazards involved.

- ❑ Children shall not play with the appliance.
- ❑ Cleaning and user maintenance shall not be made by children unless they are supervised.
- ❑ Keep the appliance and its cord out of reach of children aged less than 8 years of age when it is energized or cooling down.
- ❑ This device is not a toy, do not leave children or people with disabilities to play with.
- ❑ In order to ensure your children's safety, please keep all packaging (plastic bags, boxes, polystyrene etc.) out of their reach.
- ❑ Caution ! Do not allow small children to play with the foil :
THERE IS A DANGER OF SUFFOCATION !
- ❑ From time to time check the cord for damages. Never use the appliance if cord or appliance shows any signs of damage.
- ❑ Never immerse the appliance in water or any other liquid for any reason whatsoever.
- ❑ Never place it into the dishwasher.
- ❑ Never use the appliance near hot surfaces.
- ❑ Do not operate the appliance with a damaged cord or plug, or after the appliance has been damaged in any manner.
- ❑ If the supply cord or appliance is damaged, it must be replaced by the manufacturer or its service agent or a similarly qualified person in order to avoid a hazard.
- ❑ Disconnect the power source cable before any operation of cleaning of maintenance and accessories assembly.
- ❑ Never use the appliance outside and always place it in a dry environment.
- ❑ Never use accessories, which are not recommended by the producer. They could constitute a danger to the user and risk to damage the appliance.
- ❑ Never use any other connector than the one provided.
- ❑ Never move the appliance by pulling the cord. Make sure the cord cannot get caught in any way.
- ❑ Never wind the cord around the appliance and do not bend it

- ❑ Ensure that the power cord does not come into contact with hot parts of this unit.
- ❑ Make sure the appliance has cooled down before cleaning and storing it.
- ❑ The temperature of accessible surfaces may be very high when the appliance is operating. Never touch these parts, of apparatus, to avoid burning itself.
- ❑ Make sure the appliance never comes into contact with flammable materials, such as curtains, cloth, etc...& the power cord and plug do not come in contact with water.
- ❑ Before cleaning, always unplug the appliance from the power supply and let it cool down.
- ❑ The plug must be removed from the socket-outlet before cleaning or maintaining the appliance.
- ❑ This appliance is not intended to be operated by means of an external timer or separate remote-control system.
- ❑ Always remove the plug from the wall socket when the appliance is not in use.
- ❑ When using an extension lead always make sure that the entire cable is unwound from the reel. Use solely CE approved extension leads. Input power must be at least 16A, 250V, 3000W.
- ❑ Incorrect operation and improper use can damage the appliance and cause injury to the user.
- ❑ This device, designed for home use, complies with standards relating to this type of product.
- ❑ The item must not be left unattended when it is connected to main supply.
- ❑ The item is not to be used, if it has been dropped or if there are visible signs of damage or if it is leaking.
- ❑ For instructions on cleaning the unit, refer to the following section of the manual.
- ❑ This appliance is only intended for household use.

(*) Qualified Person : the manufacturer's or importer's service technician or any other person qualified, authorized and competent to carry out this type of repair.

GENERAL INFORMATION

The symbol "OPEN BOOK" means a recommendation to read important things contained in the record.



The symbol "BIN" crossed out, abbreviation WEEE (Waste of Electrical and Electronic Equipment) means that at the end of life, it should not be discarded with household waste, but filed to the sorting of the locality. Waste recovery can help preserve our environment.



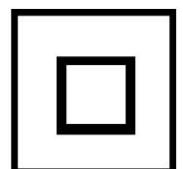
The symbol "CE" is the guarantee of compliance with harmonized European standards, voluntary, reflecting the essential requirements into technical specifications. These standards are not mandatory but are guarantees of compliance with essential requirements.



The symbol ROHS (Restriction of use of some Hazardous Substances) on the Environmental Protection, certifies that for each of the five hazardous substances • Lead • Mercury • (hexavalent) chromium • products for protection against flames PBB and PBDE, the peak concentration is equal to or less than 0.1% of the weight of homogeneous material, and 0.01% for the 6th • cadmium.



The symbol "DOUBLE SQUARE" means a double insulated. A basic insulation and supplementary insulation. This device requires no connection to the



mass of a protective conductor grounded. The materials are said : double insulation class II.

The symbol "TRIMAN" indicates that the consumer is invited to dispose the product as part of a separate collection (eg recycling bin, waste, voluntary intake point).



For more information : <http://www.quefairedemesdechets.fr>

DESCRIPTION

- 1. switch
- 2. Carry handle
- 3. Blower outlet
- 4. Engine block
- 5. Locking clips
- 6. Suction socket
- 7. Stainless steel dust and water tank
- 8. Base of the device
- 9. Casters

Floor brush



1

1. Dust filter



2

2. Sponge filter



3

3. Nozzle



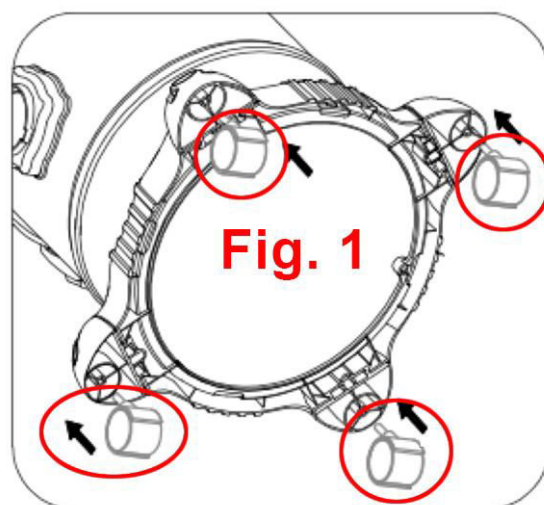
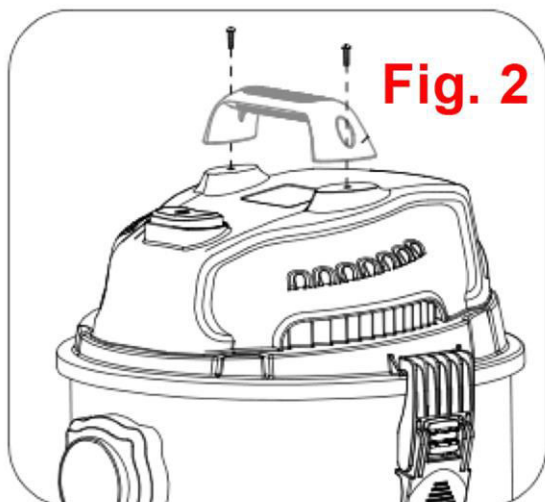
4

4. Aluminum tube for sucking the ashes

IMPORTANT

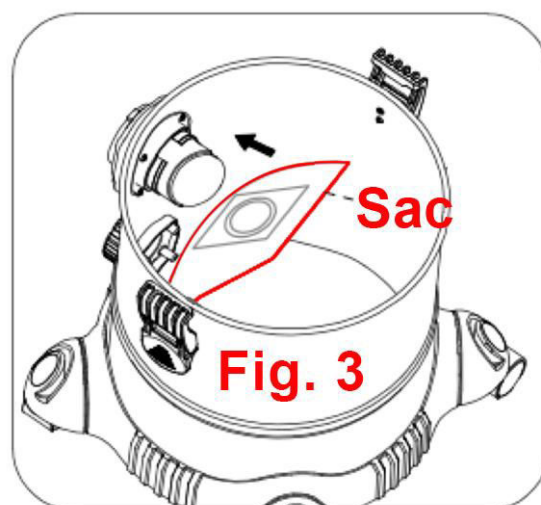
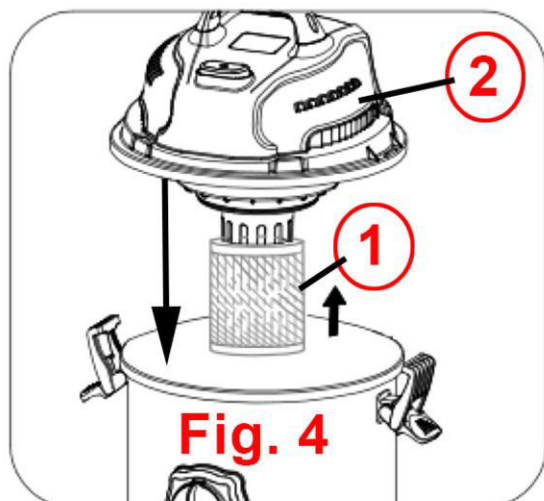
- . Read this instruction booklet carefully.
- . Before using the appliance, check that the mains power voltage corresponds to the voltage shown on the rating plate.
- . Always remove the plug from the power sock before opening the appliance.
- . Never use methylated spirits or other solvents to clean the appliance.
- . Never leave the appliance unattended when it is switched on.
- Keep the device out of reach of children and persons with disabilities.
- This unit is for household use only. Use as described in this instruction booklet.
- Never use the device if it appears to be defective in any way.
- For repairs or accessories. Contact your dealer or an authorized service centre.

Insert the casters into their housing under the device. (Fig. 1)



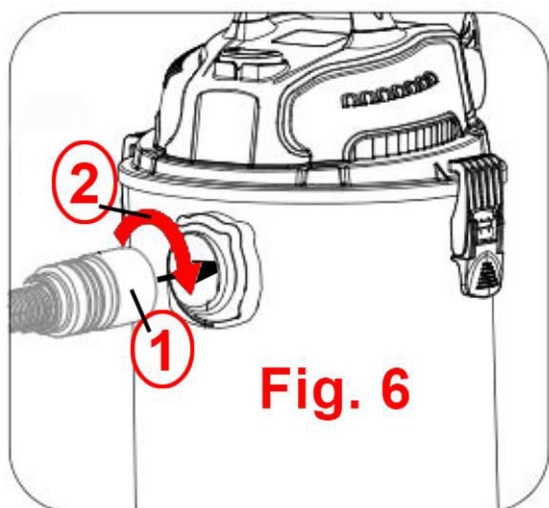
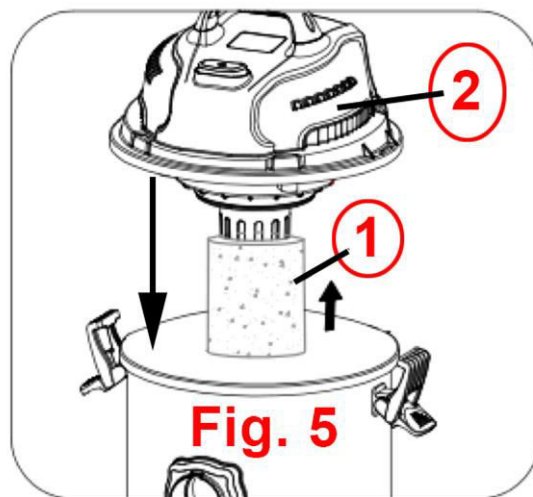
Fix the handle on the top of the device with the 2 provided screws. (Fig 2)

1. To suck up dust, it is possible to install a standard paper bag. (Fig. 3)



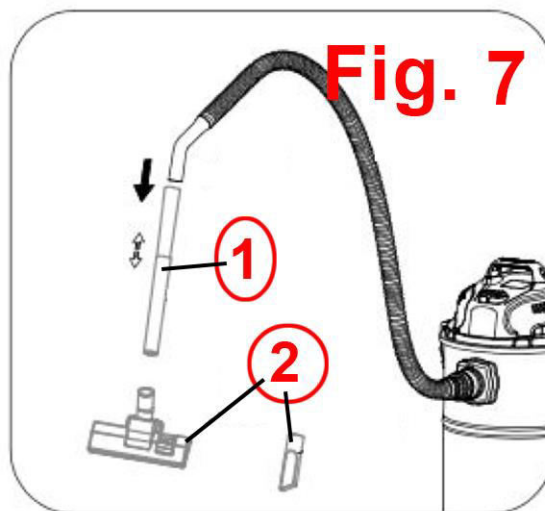
In this case, first install the filter for "dry" use (1) by inserting it on the suction nozzle of the motor unit. Insert the assembly by placing the motor unit on the container. (2) (Fig. 4)

2. To aspirate liquids,
Do not install a paper dust bag.
 Use the foam filter provided for this purpose.
 Insert it on the suction nozzle of the motor
 unit. (1)
 Insert the assembly by placing the motor
 unit on the container. (2) (Fig. 5)



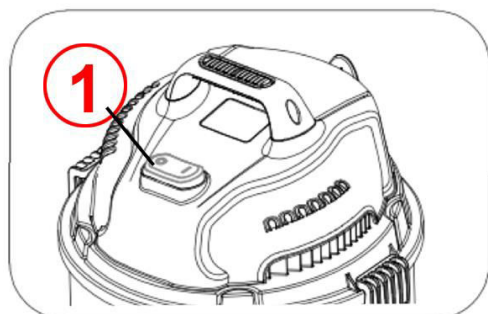
Attach the suction hose to the can (1)
 by turning it clockwise until it clicks into
 place (2). (Fig. 6)

Attach the suction tube (1) to the hose.
 Select the accessory to be used (Brush,
 Nozzle) (2) and attach it to the other end
 of the suction hose (Fig. 7)



USE

- Unwind the power cord completely.
- Check that the voltage in the country where you are, corresponds to the voltage indicated on the device.
- Connect the appliance to a good electrical outlet, (earthed if the appliance is class I), to avoid any danger.
- Disconnect the power cable from the power supply before performing any maintenance cleaning and accessory fitting.
- Never modify the device.



To start the device, press the On / Off button. (1)
 To stop it, press the On / Off button again.

CLEANING AND MAINTENANCE

Before cleaning, always switch off the appliance, disconnect the apparatus and let it cool.

The plug must be removed from the socket-outlet before cleaning or maintaining the appliance.

Clean the outside of the apparatus with a sponge or slightly wet linen. (possibly with household product). Once dry, reattach it in the dust container.

Never plunge the apparatus in water or all other liquid!

Do not use abrasive cleaners, gritting, or metal brush or another cutting object.

Notes: Do not wash the filter in a washing machine and do not dry it with an electric dryer.

Do not clean the outside of the vacuum cleaner with gasoline oil or any other liquid.

STORAGE

-Ensure the unit is completely cool and dry.

-Do not wrap the cord around the appliance, as this will cause damage.

-Keep the appliance in a cool, dry place and out of reach from children.

GUARANTEE

Before being delivered, all our products are subjected to a rigorous control.

This apparatus is guaranteed 24 months starting from the date of purchase by the consumer.

The documents in proof of guarantee are:

- The invoice and
- The filled and stamped warrantee plate (located on side or bottom of the gift box). Without these documents in proof, no free replacement, nor no free repair, can be carried out.

During the warranty period, we deal for free, the defects of the apparatus or the accessories, rising from a defect of materials or manufacture by repair or, replacement. The services within the framework of the guarantee do not involve any extension of the warranty period and does not give right to a new guarantee! In the event of recourse to the guarantee, bring back the complete apparatus to your retailer, in its original packing, accompanied by the proofs of purchase.

The breakage of parts out of glass or plastic is, in all the cases, not warranted.

Defects on the accessories or the wearing parts (for example: coals of engines, hooks, drive belts, remote control of replacement, teeth brushes of replacement, webs etc) as well as cleaning, maintenance or it replacement of wearing parts are not guaranteed and are thus to pay!

In the event of foreign intervention, the guarantee becomes null and void.

After flow of the warranty period, repairs can be carried out, against payment, by a specialized trade or a repair service.

SPECIFICATIONS

Power supply	220-240V~ 50/60Hz
Power	1200W
Norm	Class II – IPX4
Tank capacity	30L

Made in PRC

The characteristics can change without prior notice.

CAUTION: In order to minimize the risks of electric shock, In the event of breakdown, not to open the case but to call upon a qualified technician for repairs.

This device complies with EC directives, it was controlled according to all current European directives, applicable such as: electromagnetic compatibility (EMC) and low voltage (LVD).

This device has been designed and manufactured in compliance with the latest regulations and technical requirements for safety.

**Imported by Sotech International
" LE PERIPOLE " N°A-107
33, Avenue du Marechal de Lattre de Tassigny
94120 Fontenay sous-bois - France**