

PROGRAMMABLE COFFEE MAKER

Instruction manual

TCA-991



TCA-995



TCA-996



TCA-911



Dear consumer, Please read these instructions carefully before use in order to avoid damage due to incorrect use and to better understand the functions of this product. Please pay particular attention to the safety guide.

If you pass the device on to a third party, these Operating Instructions must also be handed over.

Please keep them for future references.

IMPORTANT SAFEGUARDS

- ❑ Please read these instructions carefully before use.
- ❑ Keep present instructions for future references.
- ❑ Check that your mains voltage corresponds to that stated on the appliance.
- ❑ Only use the appliance for domestic purposes and household or similar applications such as:
 - staff kitchen areas, in shops, offices and other working environments;
 - By clients in hotels, motels and other residential type environments;
 - Environment type like :
 - Farm Houses • Bed and Breakfast.
- ❑ Only use the appliance in the way indicated in these instructions.
- ❑ Never use this unit near bathtub, shower, wash-hand basins or other containers with water.
- ❑ Never use this apparatus near water projections.
- ❑ Never use this apparatus with the wet hands.
- ❑ If, unfortunately the apparatus is wet, immediately withdraw the cord of the socket-outlet.
- ❑ Inform potential users of these instructions.
- ❑ Never leave the appliance unsupervised when in use.
- ❑ The appliance must be used only for its intended purpose. No responsibility can be taken for any possible damage caused by incorrect use or improper handling.
- ❑ Children and persons with disabilities are not always aware of the danger posed by the use of appliances.
- ❑ This appliance can be used by children aged from 8 years and above if they have been given supervision or instruction concerning use of the appliance in a safe way and if they understand the hazards involved. Cleaning and user maintenance shall not be made by children unless they are older than 8 and supervised. Keep the appliance and its cord

- out of reach of children aged less than 8 years.
- Appliances can be used by persons with reduced physical, sensory or mental capabilities or lack of experience and knowledge if they have been given supervision or instruction concerning use of the appliance in a safe way and understand the hazards involved.
 - Children shall not play with the appliance.
 - This device is not a toy, do not leave small children or people with disabilities to play with.
 - In order to ensure your children's safety, please keep all packaging (plastic bags, boxes, polystyrene etc.) out of their reach.
 - Caution ! Do not allow small children to play with the foil :
THERE IS A DANGER OF SUFFOCATION !
 - From time to time check the cord for damages. Never use the appliance if cord or appliance shows any signs of damage.
 - Never immerse the appliance in water or any other liquid for any reason whatsoever.
 - Never place it into the dishwasher.
 - Never use the appliance near hot surfaces.
 - Do not operate the appliance with a damaged cord or plug, or after the appliance has been damaged in any manner.
 - If the supply cord or appliance is damaged, it must be replaced by the manufacturer or its service agent or a similarly qualified person in order to avoid a hazard.
 - Disconnect the power source cable before any operation of cleaning of maintenance and accessories assembly.
 - Never use the appliance outside and always place it in a dry environment.
 - Never use accessories, which are not recommended by the producer. They could constitute a danger to the user and risk to damage the appliance.
 - Never use any other connector than the one provided.

- ❑ Never move the appliance by pulling the cord. Make sure the cord cannot get caught in any way.
- ❑ Never wind the cord around the appliance and do not bend it
- ❑ Ensure that the power cord does not come into contact with hot parts of this unit.
- ❑ Make sure the appliance has cooled down before cleaning and storing it.
- ❑ The temperature of accessible surfaces may be very high when the appliance is operating. Never touch these parts, of apparatus, to avoid burning itself.
- ❑ Make sure the appliance never comes into contact with flammable materials, such as curtains, cloth, etc...& the power cord and plug do not come in contact with water.
- ❑ Before cleaning, always unplug the appliance from the power supply and let it cool down.
- ❑ This appliance is not intended to be operated by means of an external timer or separate remote-control system.
- ❑ Always place the unit on a flat surface. Ensure, also, not to cover the device and not to put anything on it.
- ❑ Always remove the plug from the wall socket when the appliance is not in use.
- ❑ When using an extension lead always make sure that the entire cable is unwound from the reel. Use solely CE approved extension leads. Input power must be at least 16A, 250V, 3000W.
- ❑ Incorrect operation and improper use can damage the appliance and cause injury to the user.
- ❑ This device, designed for home use, complies with standards relating to this type of product.
- ❑ The appliance must be used and rested on a table or flat & stable surface.
- ❑ The item must not be left unattended when it is connected to main supply.
- ❑ The item is not to be used, if it has been dropped or if there are visible signs of damage or if it is leaking.

- Regarding the instructions for cleaning, thanks to refer to the below paragraph of the manual.
- This appliance is only intended for household use.

(*) Competent qualified person : after sales department of the producer or importer or any person who is qualified, approved and competent to perform this kind of repairs.

GENERAL INFORMATION

The symbol "OPEN BOOK" means a recommendation to read important things contained in the record.



The symbol "BIN" crossed out, abbreviation WEEE (Waste of Electrical and Electronic Equipment) means that at the end of life, it should not be discarded with household waste, but filed to the sorting of the locality. Waste recovery can help preserve our environment.



The symbol "CE" is the guarantee of compliance with harmonized European standards, voluntary, reflecting the essential requirements into technical specifications. These standards are not mandatory but are guarantees of compliance with essential requirements.



The symbol "GLASS / FORK" means that the device is compatible and can come into contact with foodstuffs.



The symbol ROHS (Restriction of use of some Hazardous Substances) on the Environmental Protection, certifies that for each of the five hazardous substances • Lead • Mercury • (hexavalent) chromium • products for protection against flames PBB and PBDE, the peak concentration is equal to or less than 0.1% of



the weight of homogeneous material, and 0.01% for the 6th • cadmium.

The symbol "HOT WALL" warns the user that the walls of the unit can become very hot, and to take precautions as required.



The symbol "TRIMAN" indicates that the consumer is invited to dispose the product as part of a separate collection (eg recycling bin, waste, voluntary intake point).



For more information : <http://www.quefairedemesdechets.fr>

CAUTION: RISK OF BURN.

- During operation, the surface temperature of the unit may be hot.
- The heating elements remain warm for a long time after the appliance is switched off.
- The "HOT SURFACE" symbol warns the user that the walls of the appliance may become very hot and to take the necessary precautions.



FIRST USE

Before first use, remove the unit and all accessories carefully. Clean with soap and water, bowls and all accessories. Rinse and dry thoroughly. Clean the outside and inside of the machine cabinet with a damp cloth and wipe dry.

USE

- Unroll the power cord completely.
- Check that the tension in force in the country where you are corresponds to that indicated on the apparatus.
- Connect the apparatus in a correct socket-outlet, (and connected to the ground if the unit is Class I), to avoid any danger.

- Disconnect the power source cable before any operation of cleaning of maintenance and accessories assembly.
- Never modify the appliance in anyway.

To avoid filter basket overflow during brewing:

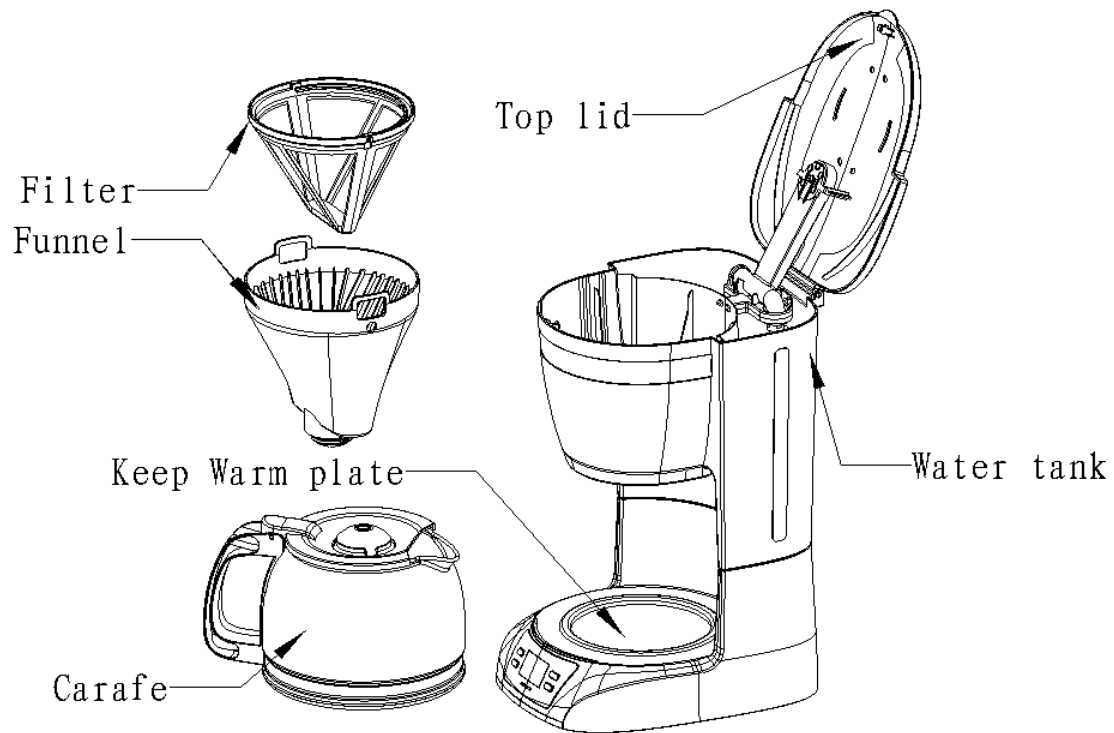
1. Make sure the filter basket is securely locked in place.
2. Insure the carafe is correctly inserted in the coffee maker to activate the “pause-n-serve” mechanism.
3. To place one paper filter into the basket; insure paper filter doesn’t bend or fold. After brewing is completed, there may still be some HOT liquid in the Filter Basket. Allow to drain completely and open Filter Basket carefully. Do not move coffeemaker immediately after operation.

GLASS CARAFE PRECAUTIONS:

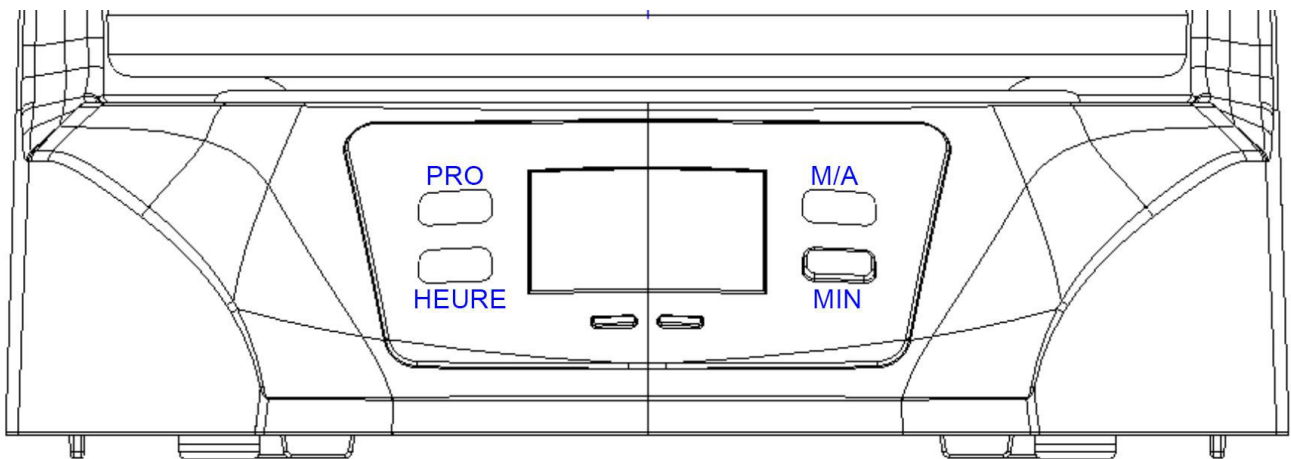
To avoid damage or injury of the carafe, please follow these instructions.

1. The glass carafe is designed for use with this appliance only. It must never be used in any other drip-type coffeemaker, on a range top, or in a microwave oven.
2. Never clean inside of carafe with a hard implement, scouring pad or other abrasive cleaners. Scratches in the glass can eventually cause glass liner to break.
3. Never stir inside of the carafe with a spoon or other utensils.
4. Do not use a cracked glass carafe or a carafe having a loose or weakened handle. If glass liner should break, do not consume beverage.
5. Never use ice cubes in carafe, or place carafe in the refrigerator.
6. Never drink directly from carafe. Always check beverages for broken glass before drinking.
7. Do not tilt or overturn the carafe, as liquids may flow out.
8. When carrying the carafe, always use the handle.
9. Never leave the empty carafe on the keeping warm plate otherwise the carafe is liable to crack.

TO KNOW THE COFFEE MAKER



Control panel:



Before first use:

Before the first use it is suggested that you clean your new coffeemaker. Simply run through 2 brew cycles as described below without using coffee or a coffee filter.

PREPARATION FOR USE – Manual Operation

1. Place the coffeemaker on a hard, flat surface. With the coffeemaker turned off, plug in.
2. Fill the carafe with fresh, cold water (preferably bottled or filtered water). Open the Top cover and pour the water into the water tank. The number of cups is shown by the water level indicator. Do not exceed the maximum fill level. We do not recommend making less than 4 cups.
3. Place the carafe with the lid closed in the coffee maker making sure it is fully seated in the coffee maker to activate the pause-n-serve mechanism.

CAUTION: To avoid filter basket overflow, the carafe must fit securely into the coffee maker with the lid on. If not properly positioned on the warming plate it could cause hot water or hot coffee to overflow.

4. With the Top Lid in the full opened position, insert filter, into the filter basket holder, folding the seamed edges to insure a snug fit in the basket.
5. Add coffee using the measuring scoop provided. Brew coffee with the coffee water ratio you normally use when you prepare ground coffee. If you prefer strong coffee, we recommend the following European method, which produces rich, full-bodied flavour. Use one level scoop for each cup (6 fluid ounces) or 10 level scoops per full pot of coffee. Experiment with the amount of coffee used in order to adjust the flavour to your taste. Do not exceed the Max level.
6. Close the Top Lid & make sure it is securely closed.
7. With the Top Lid firmly closed and the carafe securely in place, press the On/Off button. The red colour LED light will light up and flashing, to indicate the brew cycle has started.

CAUTION: Never open the Top Lid during the brewing cycle; even if no water is draining from the Funnel. Extremely hot water/coffee can spill out from the basket and cause injury. If water/coffee is not draining from the filter basket, IMMEDIATELY unplug the unit and wait 10 minutes before opening and checking the filter.

8. When the brewing process ends and the water level indicator is empty, there will still be hot liquid in the filter basket. Wait a few minutes for the rest of the liquid to drip through into the carafe.

9. After coffee grounds have cooled, open the Top Lid and carefully remove the filter by grasping the handle and lifting straight up from the Funnel compartment. Discard used coffee filter and grounds.

CAUTION: Coffeemaker becomes very hot during the brew cycle. Please handle with extreme care.

10. The keep warm plate will operate as long as the switch is on.
11. Always switch the coffee maker to A (A means OFF) when the carafe is empty or if you, no longer, want to keep coffee hot. The hotplate will operate 40 minutes after the unit is turned on.
12. If two or more pots of coffee are to be made it is recommended that the coffee maker be allowed to cool for 10 minutes between each brewed pot. The filter should also be rinsed out after each brew cycle.

MAKE COFFE IMMEDIATELY

1. Press M/A (ON/OFF) button, Coffee maker will brewing coffee immediately, red LED light will flash to indicate the brewing process, when red LED light It means the keep warming function is on, The coffee maker will shut off automatically after 30 minutes.
2. If you want to stop making coffee while brewing time, press M/A (ON/OFF) again to stop making coffee.

PROGRAM SETTING

1. Before brewing. Press the HEURE and then the MIN buttons to set the current time. Press and hold the buttons to scroll through numbers quickly. When the number displayed approaches the desired setting, press and release the button to advance one digit at a time.
2. To set the desired auto brew start time, first press the PRO button. Set the time you want coffee to begin brewing by using the HEURE and MIN buttons following the same directions for setting the clock. After setting, machine comes in auto-brew mode, green light will flash, the word" AUTO" will be shown in the LCD screen.
3. Your coffee maker will automatically begin brewing at the pre-set time. When the brew cycle begins, the red light will flash to indicate the coffee maker is in operation.
4. Press the PRO button about 3 second to cancel the Pre-set Model.

PAUSE & SERVE

Allows you to interrupt the brewing cycle and pour a cup of coffee before the entire carafe is finished brewing.

CAUTION: You can take out carafe, pour and serve at any time. The appliance will stop dripping automatically. But the time cannot exceed 30 seconds.

NOTE: While the pause and serve is a convenient way to pour a cup of coffee mid-cycle, we recommend you wait until the completion of the brew cycle as the strength of coffee poured mid-cycle may vary from finished brew, and will affect finished brew's strength and flavour.

CLEANING AND MAINTENANCE

Before cleaning, always: switch off the appliance, disconnect the apparatus and let it cool.

Clean the outside of the apparatus with a sponge or slightly wet linen.

The parts (removable) in contact with food like plate, bowl, forks, Spatula etc. can be washed in hot water with sponge and soft detergent or put in the dishwasher.

Never plunge the apparatus in water or all other liquid !

Do not use abrasive cleaners, gritting, or metal brush or another cutting object.

The keep warm plate may be wiped with a clean, damp cloth when necessary. For hard to remove stains, use a plastic mesh pad or cloth damped in vinegar.

DECALCIFYING YOUR COFFEEMAKER

Calcium build-up frequently occurs in drip coffeemakers. This build-up is normal and is caused by minerals commonly found in drinking water. Periodically, your coffeemaker will need cleaning to remove calcium or mineral deposits that may form. You will know when your unit will need decalcifying when you notice an obvious slow down in brewing time.

We recommend decalcifying your unit with a solution of white vinegar and cold water. A solution of two tablespoons of white vinegar to one carafe of cold water works best. Pour this solution into the water reservoir, and follow your normal operating instructions, without a filter in the filter holder. When the brew cycle is finished, empty the carafe and rinse with water. Refill the water reservoir with cold water only and repeat the brew cycle with water only, twice more. This will rinse out any remaining vinegar solution. We recommend you do this 4 times a year.

STORAGE

- Ensure the unit is completely cool and dry.
- Do not wrap the cord around the appliance, as this will cause damage.
- Keep the appliance in a cool, dry place and out of reach from children.

GUARANTEE

Before being delivered, all our products are subjected to a rigorous control. This apparatus is guaranteed 24 months starting from the date of purchase by the consumer.

The documents in proof of guarantee are :

- The invoice and
- The filled and stamped warrantee plate (located on side or bottom of the gift box). Without these documents in proof, no free replacement, nor no free repair, can be carried out.

During the warranty period, we deal for free, the defects of the apparatus or the accessories, rising from a defect of materials or manufacture by repair or, replacement. The services within the framework of the guarantee do not involve any extension of the warranty period and does not give right to a new guarantee ! In the event of recourse to the guarantee, bring back the complete apparatus to your retailer, in its original packing, accompanied by the proofs of purchase.

The breakage of parts out of glass or plastic is, in all the cases, not warranted. Defects on the accessories or the wearing parts (for example: coals of engines, hooks, drive belts, remote control of replacement, teeth brushes of replacement, webs etc) as well as cleaning, maintenance or it replacement of wearing parts are not guaranteed and are thus to pay !

In the event of foreign intervention, the guarantee becomes null and void.

After flow of the warranty period, repairs can be carried out, against payment, by a specialized trade or a repair service.

SPECIFICATIONS

Power supply	220-240V~ 50/60Hz
Power	800W
Capacity	1,25L
Display	LCD
Norm	Class I

Made in P.R.C

The characteristics can change without preliminary preventing

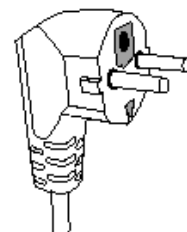
This device complies with EC directives, it was controlled according to all current European directives, applicable such as: electromagnetic compatibility (EMC) and low voltage (LVD).

This device has been designed and manufactured in compliance with the latest regulations and technical requirements for safety.

This unit is equipped with an electrical outlet with earth and must be earthed in an according plug.

Note : In the event of question concerning the earth or electric connection, please consult a qualified personnel.

In the event of short-circuit, earthing reduces the risk of electric shock while making possible the current to be evacuated by the wire of ground.



CAUTION: In order to minimize the risks of electric shock, In the event of breakdown, not to open the case but to call upon a qualified technician for repairs.

**Imported by Sotech International
" LE PERIPOLE " N°C107
33, Avenue du Marechal de Lattre de Tassigny
94120 Fontenay sous bois - France**