

GARMENT STEAMER

INSTRUCTION MANUAL



Dear consumer, Please read these instructions carefully before use in order to avoid damage due to incorrect use and to better understand the functions of this product. Please pay particular attention to the safety guide. If you pass the device on to a third party, these Operating Instructions must also be handed over.

Please keep them for future references.

IMPORTANT SAFEGUARDS

- ❑ Please read these instructions carefully before use.
- ❑ Keep present instructions for future references.
- ❑ Check that your mains voltage corresponds to that stated on the appliance.
- ❑ The device is intended for use in domestic and similar applications such as:
 - Kitchen work area in shops, offices and other work environments.
 - Farms.
 - By customers of hotels, motels and other residential environments.
 - Bed and breakfast type environments.
- ❑ Only use the appliance in the way indicated in these instructions.
- ❑ Never use this unit near bathtub, shower, wash-hand basins or other containers with water.
- ❑ Never use this apparatus near water projections.
- ❑ Never use this apparatus with the wet hands.
- ❑ If, unfortunately the apparatus is wet, immediately withdraw the cord of the socket-outlet.
- ❑ Inform potential users of these instructions.
- ❑ Never leave the appliance unsupervised when in use.
- ❑ The appliance must be used only for its intended purpose. No responsibility can be taken for any possible damage caused by incorrect use or improper handling.
- ❑ Children and persons with disabilities are not always aware of the danger posed by the use of appliances.
- ❑ This appliance can be used by children aged from 8 years and above and persons with reduced physical, sensory or mental capabilities or lack of experience and knowledge if

they have been given supervision or instruction concerning use of the appliance in a safe way and understand the hazards involved.

- Cleaning and maintenance must not be made by children without supervision.
- Keep the iron and its cord out of reach of children less than 8 years of age when it is energized or cooling down.
- This device is not a toy, do not leave children or people with disabilities to play with.
- In order to ensure your children's safety, please keep all packaging (plastic bags, boxes, polystyrene etc.) out of their reach.
- Caution ! Do not allow small children to play with the foil :
THERE IS A DANGER OF SUFFOCATION !
- From time to time check the cord for damages. Never use the appliance if cord or appliance shows any signs of damage.
- Never immerse the appliance in water or any other liquid for any reason whatsoever.
- Never place it into the dishwasher.
- Never use the appliance near hot surfaces.
- If the supply cord is damaged, it must be replaced by the manufacturer, its service agent or similarly Competent qualified person(*) in order to avoid a hazard.
- Disconnect the power source cable before any operation of cleaning of maintenance and accessories assembly.
- The iron must not be left unattended while it is connected to the supply mains.
- The plug must be removed from the socket-outlet before the water reservoir is filled with water.
- The iron is not to be used if it has been dropped, if there are visible signs of damage or if it is leaking.
- The filling aperture must not be opened during use.

- ❑ When placing the iron on its stand, ensure that the surface on which the stand is placed is stable.
- ❑ The iron must be used and rested on a flat and stable surface.
- ❑ When the iron is put back on its stand, make sure that the surface that supports the iron-rest is stable.
- ❑ Never use the appliance outside and always place it in a dry environment.
- ❑ Never use accessories, which are not recommended by the producer. They could constitute a danger to the user and risk to damage the appliance.
- ❑ Never use any other connector than the one provided.
- ❑ Never move the appliance by pulling the cord. Make sure the cord cannot get caught in any way.
- ❑ Never wind the cord around the appliance and do not bend it
- ❑ Ensure that the power cord does not come into contact with hot parts of this unit.
- ❑ Make sure the appliance has cooled down before cleaning and storing it.
- ❑ The temperature of accessible surfaces may be very high when the appliance is operating. Never touch these parts, of apparatus, to avoid burning itself.
- ❑ Make sure the appliance never comes into contact with flammable materials, such as curtains, cloth, etc...& the power cord and plug do not come in contact with water.
- ❑ Before cleaning, always unplug the appliance from the power supply and let it cool down.
- ❑ This appliance is not intended to be operated by means of an external timer or separate remote-control system.
- ❑ Always place the unit on a flat surface. Ensure, also, not to cover the device and not to put anything on it.

- Always remove the plug from the wall socket when the appliance is not in use.
- When using an extension lead always make sure that the entire cable is unwound from the reel. Use solely CE approved extension leads. Input power must be at least 16A, 250V, 3000W.
- Incorrect operation and improper use can damage the appliance and cause injury to the user.
- This device, designed for home use, complies with standards relating to this type of product.
- Regarding filling, cleaning and descaling, please refer to below paragraphs.
- Care should be taken when using the appliance due to the emission of steam
- Unplug the appliance during filling and cleaning

(*) Competent qualified person: after sales department of the producer or importer or any person who is qualified, approved and competent to perform this kind of repairs

SPECIFIC WARNING FOR IRONS

- Always place the unit on a flat & stable surface.
- Always unplug the unit before filling
- The unit must not be left unattended when it is connected to the main power.

WARNING: BURN HAZARD.

- During operation, the temperature of the appliance surface may be hot.
- The heating parts remain hot, long time after stopping the machine.

- The symbol "Hot Surface" warns the user that the apparatus walls may become hot, and to take precautions.



CLEANING AND MAINTENANCE

- Always unplug the unit and allow it to cool before cleaning.
- Clean the outside of the appliance with a sponge or slightly damp cloth.
- Never immerse the appliance in water or any other liquid!
- Never use abrasive products, wire brush or other sharp objects.

Cleaning the filter and the water tank

Clean the filter and the tank every month or when 20 litres of water have been consumed.

Note : This period which can be lengthened or shortened depending on the real amount of used water.

- 1). Unscrew the water tank cover counter-clockwise.
- 2). Pour the residual water out of the tank.

Cleaning instruction

If the steamer is often used at high temperatures, in the long term, it will produce calcium carbonate in the form of powdered salt. Limestone may cause blockage of the pipe, and / or proper operation of the heater. This will affect the effectiveness of the steamer.

It is therefore recommended to clean the steam heater regularly to remove the scale.

For an average use of half an hour per day,

1. For areas with soft water, once every two months.
2. For areas with medium hard water, once every month.
3. For areas with very hard water, two to three times a month.

Cleaning method

1. Add half white vinegar and half water in the tank.
2. Put the tank in the device, and run it for about 10 minutes.
3. After 10 minutes of operation, stop the appliance, disconnect it from the power supply and remove the mixture.
4. Add pure water to the tank, lift the device and shake it several times before removing the water.
5. Repeat this procedure several times, until the smell of vinegar is eliminated.

GENERAL INFORMATION

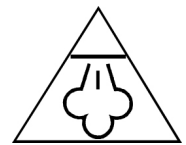
The symbol "OPEN BOOK" means a recommendation to read important things contained in the record.



The symbol "BIN" crossed out, abbreviation WEEE (Waste of Electrical and Electronic Equipment) means that at the end of life, it should not be discarded with household waste, but filed to the sorting of the locality. Waste recovery can help preserve our environment.



The symbol "STEAM" warns the user that steam can escape from the unit and to take all necessary precautions. (Risk of burns)



The symbol "CE" is the guarantee of compliance with harmonized European standards, voluntary, reflecting the essential requirements into technical specifications. These standards are not mandatory but are guarantees of compliance with essential requirements.



The symbol ROHS (Restriction of use of some Hazardous Substances) on the Environmental Protection, certifies that for each of the five hazardous substances • Lead • Mercury • (hexavalent) chromium • products for protection against flames PBB and PBDE, the peak concentration is equal to or less than 0.1% of the weight of homogeneous material, and 0.01% for the 6th • cadmium.



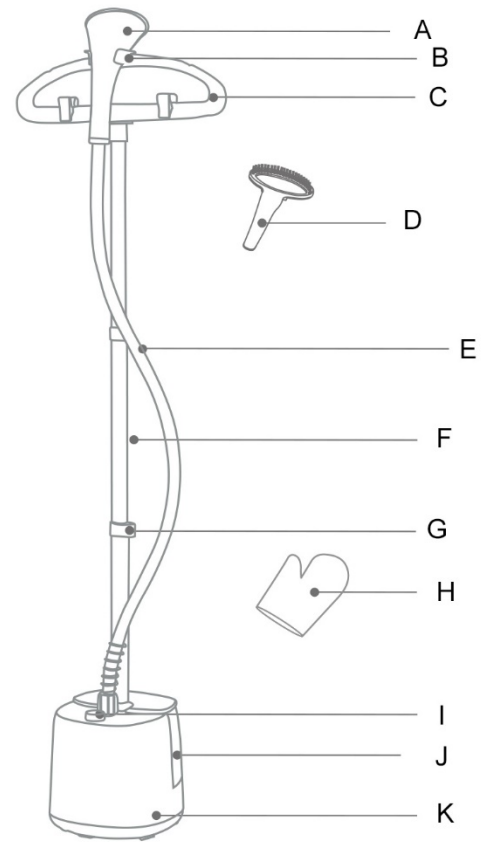
The symbol "TRIMAN" indicates that the consumer is invited to dispose the product as part of a separate collection (eg recycling bin, waste, voluntary intake point).



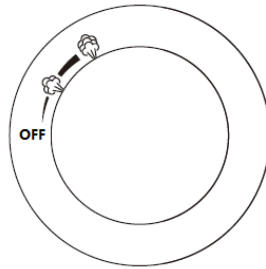
For more information : <http://www.quefairedemesdechets.fr>

KNOW YOUR DEVICE

- A. Iron brush
- B. Hook on Hanger
- C. Hanger
- D. Brush with Pants line clip
- E. Steam Hose
- F. Support tube
- G. Clip on Aluminium tube
- H. Glove
- I. On/Off Switch
- J. Water tank
- K. Main body

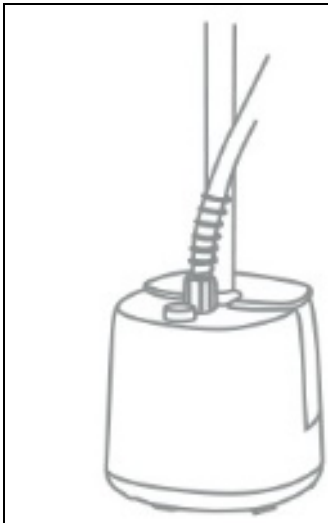


Speed control :



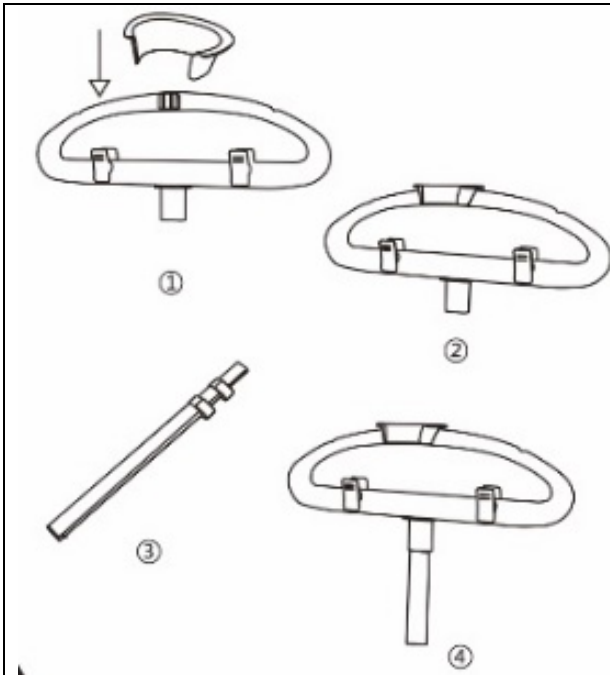
Product installation:

1). Assemble Support pole



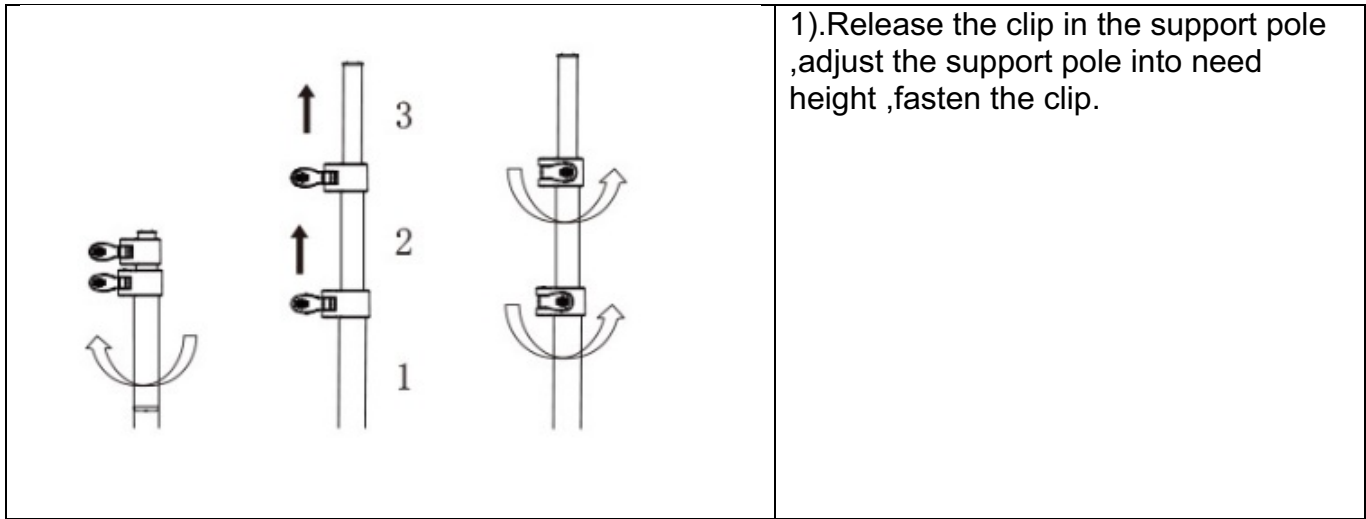
- 1). Take out the machine and support pole .
- 2). Take out the support pole, insert the support pole into the hole on the machine body until it reaches the bottom.

2). Assemble hanger

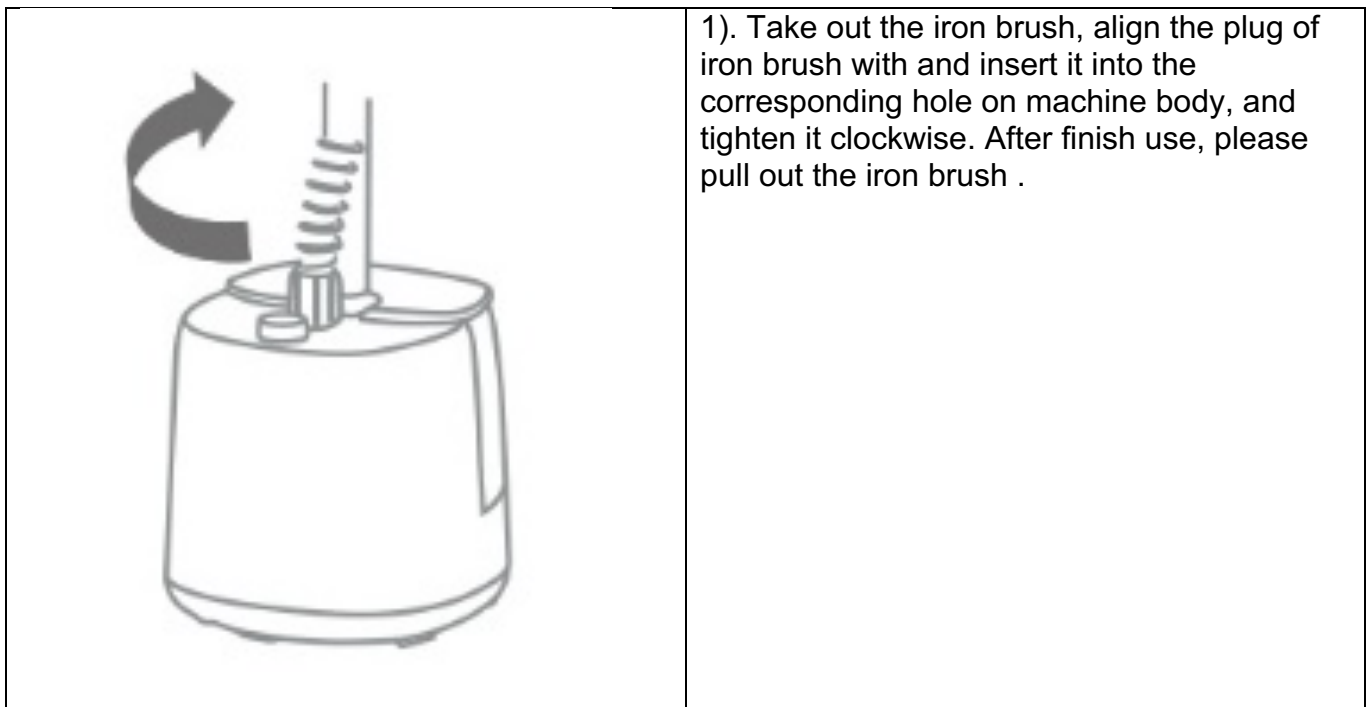


- 1). Insert the hook into hanger
- 2) Insert the hanger into the top of support poles

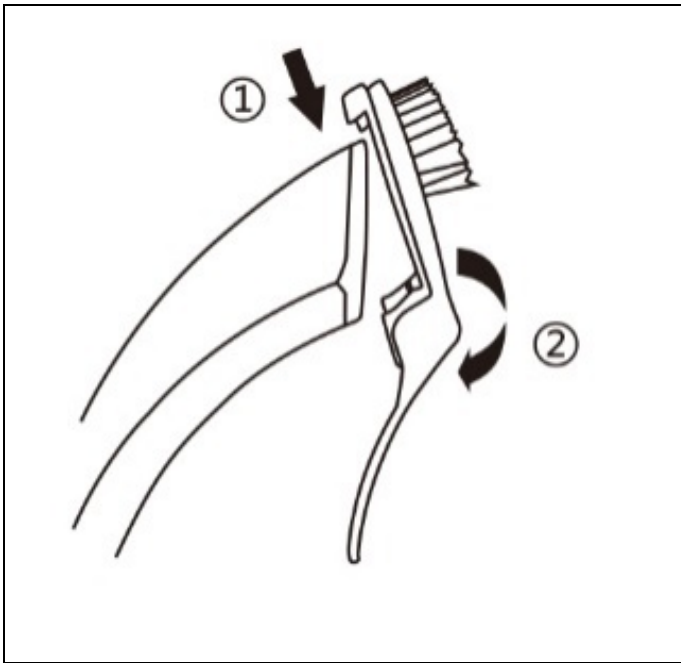
3). Adjust the height of support pole



4). Assemble iron brush

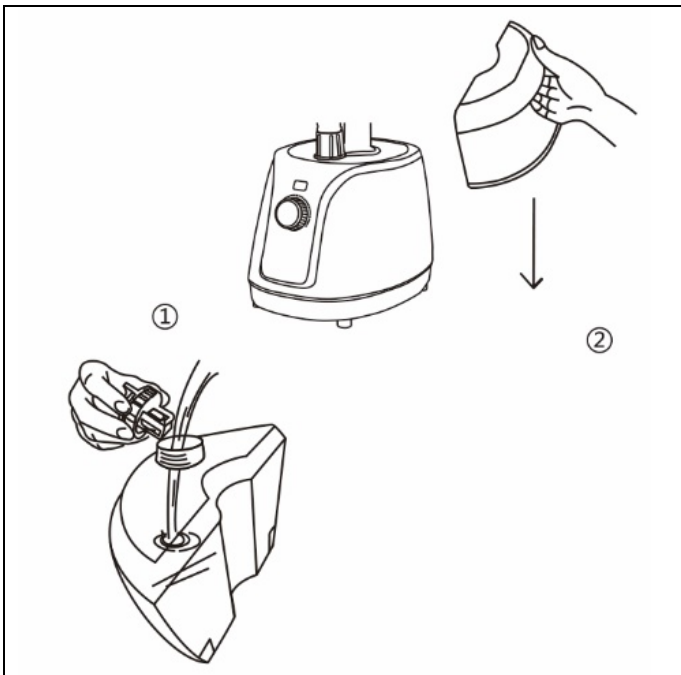


5). Assemble brush with pants line clip



1). Take out the brush with pants line clip, fix it into the head of iron brush.

6). Put the water into water tank

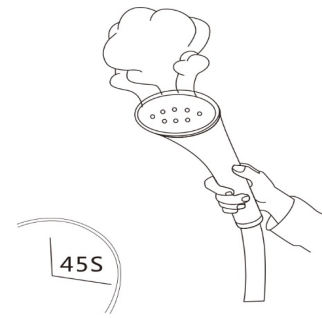


1) Open Water inlet valve on water tank, put the water in it ,and put back the water tank into the machine.

Product Operations

Ironing:

1. Stand the machine assembled on flat and stable floor. Adjust the height and spread range of the hanger as required and hang the clothes on it. Ensure there is enough water in the water tank and the tank is located properly. Plug the plug into the power socket, turn on the power switch. Let the machine preheat for about 45s, waiting for steam of ironing brush.



When the ironing brush shake or move from side to side, water bead may be appeared on the handle of ironing brush (Danger of scalding).

2. Iron from the main part of clothes, hold the lower hem by hand gently to make the wrinkled part flat and iron the rippled fibers out by the hot steam (as shown in Picture 2).



Picture 1



Picture 2



Picture 3

3. Press gently the metal panel of ironing brush on the clothes, move the brush up and down at such a speed that the steam penetrates into the fibers appropriately for hot forming.

4. After ironing the main part, ironing the specific parts from up to down. When ironing the collar, you may fold the whole collar back, hold one end of the collar by hand, move the ironing brush horizontally and, during when, be careful of the hot steam (as shown in Picture 3).

5. When ironing the sleeves, pull the sleeves to straight and move the ironing brush along the sleeves (as shown in Picture 4).

6. When ironing the lower hem of clothes, hold one side of the clothes, prop up the lower hem with the extension pole and move the ironing brush horizontally (as shown in Picture 5).

7. After ironing the front of clothes, turn the clothes over to iron its back.



Picture 4



Picture 5

8. When ironing the collar part of the garment, please use the small iron tool to make the collar more stiff. (as shown in Picture 6).



Picture 6

Ironing Pants Line :

Take out the pants line clip, insert the metallic clasps at bottom of ironing brush into plastic slot of the pants line clip, press down the handle to open the interface between pants line clip and ironing brush, clasp the pants line and move the ironing brush gently up and down to make the pants line rightly straight. The dismounting is in a reverse order.



When the steam tube bending ,it happen to emit cooing sound. Water bead may be appeared on the steam holes and the amount of steam will decrease significantly. Lift the handle for 2-3 seconds in this case, everything will be ok.

Product Maintenance

1. Purified water is recommended in order to avoid contaminating the textiles.

The contents of mineral substance differ in various kinds of water, so there would be sediments to respective extents if the ironing machine is applied with water of different qualities, which makes the steam flow lessens, intermits, or even stops. Purified water is recommended in order to avoid contaminating the textiles.

2. To better maintain the machine, the machine, when used for a certain period, may be cleaned or maintained as follows, in which we suggest to take the both steps together:

* Cleaning the water tank

>>>Related parts: water tank and tank filter

>>>Cleaning frequency: Clean every 1 month or 20L water is consumed, which period may be prolonged or shortened according to the actual water quality.

>>> Cleaning steps:

1). Screw out counterclockwise the water tank cover.

2). Pour the remnant water out of the tank.

*Heat clean instruction

Garment Steamer if use in long-term high temperature, will produce the calcium carbonate and salt powder scale. After long-term using, the scale will cause the pipe block, heater operation heavier load, effect the steamer. Specific performance is less steam than before or stop to spray steam. In order to have a better effect of the garment steamer, recommend regular cleaning of steamer heater, remove the scale. In the calculation of half-hour daily the suggestion for the soft water areas is cleaner on time in two or three months, hard water areas is cleaned one time in two or three months, hard water areas is cleaned one time in one or two months

Cleaning methods are as follows:

1). Add white vinegar and water into the tank, mixed in a ratio of 1:1 to fill.

2). Put the tank onto machine, plug in the power cord, turn on the switch, let the machine runs for about 10 minutes.

3). After running for 10 minutes, turn off the power, unplug it, remove the mixture.

4). Then add some water into the tank, lift the machines swinging around a few times, and remove the water. Do this procedure several times repeatedly, until the residual scale and vinegar flavor is removed.

3. Storage

* Keep the machine in a dry, cool, and ventilated place and away from flammable and explosive objects.

* Keep properly the hood of connecting hole and put it back when pulling out the ironing brush after the work is done, in order to prevent water and dust away from the connecting hole

GENERAL INSTRUCTIONS

1. Purified water is recommended.

The content of the mineral substance in tap water differs according to the different types of water. There may be sediment which impairs the flow of vapor.

This flow can decrease or even stop.

This is why purified water is recommended to avoid any problems.

STORAGE

- Ensure the unit is completely cool and dry.
- Empty the reservoir by turning the iron upside down and gently shaking it.
- Do not wrap the cord around the appliance, as this will cause damage.
- Always put the iron away in a vertical position.
- Keep the appliance in a cool, dry place out of reach of children.

GUARANTEE IN ACCORDANCE WITH REGULATIONS

Before being delivered, all our products are subjected to rigorous checks.

This device is guaranteed for 24 months from the date of purchase of the product by the consumer.

The warranty documents are:

- the invoice and
- the warranty certificate (located on the side or the bottom of the box) stamped and completed.

Without these supporting documents, no free replacement or free repair can be made.

During the warranty period, we take charge, free of charge, for defects in the device or accessories, resulting from a defect in materials or workmanship by repair or replacement.

Services under the legal guarantee do not entail any extension of the guarantee period and do not give the right to a new guarantee.

In the event of a warranty claim, return the complete device to your dealer, in its original packaging, accompanied by proof of purchase.

The breakage of glass or plastic parts is, in all cases, your responsibility.

Wearing parts (for example: motor brushes, hooks, drive belts, spare remote control, spare toothbrushes, saw blades etc.) as well as their cleaning, maintenance or replacement, are not guaranteed, and are therefore at your expense.

In the event of foreign intervention, the guarantee lapses.

After expiry of the warranty period, repairs can be carried out, against payment, by a specialist dealer or a repair service.

SPECIFICATIONS

Power supply	220-240V~ 50/60Hz
Power	2000W
Tank Capacity	2800ml
Norm	Class I
Steam rate	30±3g/min
Exit steam temperature	98°C
Telescopic pole max length	121cm
Telescopic pole max length	46cm
Telescopic hose length	120cm

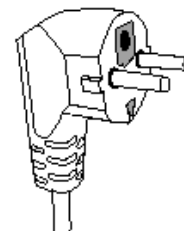
Made In P.R.C

The characteristics can change without prior notice.

This unit is equipped with an electrical outlet with earth and must be earthed in an according plug.

Note : In the event of question concerning the earth or electric connection, please consult a qualified personnel.

In the event of short-circuit, earthing reduces the risk of electric shock while making possible the current to be evacuated by the wire of ground.



CAUTION: In order to minimize the risks of electric shock, In the event of breakdown, not to open the case but to call upon a qualified technician for repairs.

This apparatus satisfied EC directives, it was controlled according to all the European current directives, like: electromagnetic compatibility (EMC) and low tension (LVD).

This apparatus was designed and manufactured in respect of the last safety regulations and technical specifications.

MARCH 2024