

ELECTRIC MINI CHOPPER

Instruction manual



Dear consumer, please, read these instructions carefully before use in order to avoid damage due to incorrect use and to better understand the functions of this product. Please pay particular attention to the safety guide. If you pass the device on to a third party, these Operating Instructions must also be handed over. Please keep them for future references.

IMPORTANT SAFEGUARDS

- ❑ Please read these instructions carefully before use.
- ❑ Keep present instructions for future references.
- ❑ Check that your mains voltage corresponds to that stated on the appliance.
- ❑ Only use the appliance for domestic purposes and household or similar applications such as:
 - staff kitchen areas, in shops, offices and other working environments;
 - By clients in hotels, motels and other residential type environments;
 - Environment type like :
 - Farm Houses • Bed and Breakfast.
- ❑ Only use the appliance in the way indicated in these instructions.
- ❑ Never use this unit near bathtub, shower, wash-hand basins or other containers with water.
- ❑ Never use this apparatus near water projections.
- ❑ Never use this apparatus with the wet hands.
- ❑ If, unfortunately the apparatus is wet, immediately withdraw the cord of the socket-outlet.
- ❑ Inform potential users of these instructions.
- ❑ Never leave the appliance unsupervised when in use.
- ❑ The appliance must be used only for its intended purpose. No responsibility can be taken for any possible damage caused by incorrect use or improper handling.
- ❑ Children and persons with disabilities are not always aware of the danger posed by the use of appliances.
- ❑ This appliance shall not be used by children.
- ❑ Keep the appliance and its cord out of reach of children.
- ❑ Appliances can be used by persons with reduced physical, sensory or mental capabilities or lack of experience and knowledge if they have been given supervision or instruction

concerning use of the appliance in a safe way and if they understand the hazards involved.

- Children shall not play with the appliance
- In order to ensure your children's safety, please keep all packaging (plastic bags, boxes, polystyrene etc.) out of their reach.
- Caution! Do not allow small children to play with the foil :
THERE IS A DANGER OF SUFFOCATION!
- From time to time check the cord for damages. Never use the appliance if cord or appliance shows any signs of damage.
- Never immerse the appliance in water or any other liquid for any reason whatsoever.
- Never place it into the dishwasher.
- Never use the appliance near hot surfaces.
- Do not operate the appliance with a damaged cord or plug, or after the appliance has been damaged in any manner.
- If the supply cord is damaged, it must be replaced by the manufacturer or its service agent or a similarly qualified person* in order to avoid a hazard.
- Disconnect the power source cable before any operation of cleaning of maintenance and accessories assembly.
- Never use the appliance outside and always place it in a dry environment.
- Never use accessories, which are not recommended by the producer. They could constitute a danger to the user and risk to damage the appliance.
- Never use any other connector than the one provided.
- Never move the appliance by pulling the cord. Make sure the cord cannot get caught in any way.
- Never wind the cord around the appliance and do not bend it.
- Ensure that the power cord does not come into contact with hot parts of this unit.
- Make sure the appliance has cooled down before cleaning and storing it.

- ❑ The temperature of accessible surfaces may be very high when the appliance is operating. Never touch these parts, of apparatus, to avoid burning itself.
- ❑ Make sure the appliance never comes into contact with flammable materials, such as curtains, cloth, etc...& the power cord and plug do not come in contact with water.
- ❑ Before cleaning, always unplug the appliance from the power supply and let it cool down.
- ❑ This appliance is not intended to be operated by means of an external timer or separate remote-control system.
- ❑ Always place the unit on a flat surface. Ensure, also, not to cover the device and not to put anything on it.
- ❑ Always remove the plug from the wall socket when the appliance is not in use.
- ❑ When using an extension lead always make sure that the entire cable is unwound from the reel. Use solely CE approved extension leads. Input power must be at least 16A, 250V, 3000W.
- ❑ Incorrect operation and improper use can damage the appliance and cause injury to the user.
- ❑ This device, designed for home use, complies with standards relating to this type of product.
- ❑ The appliance must be used and rested on a table or flat & stable surface.
- ❑ The item must not be left unattended when it is connected to main supply.
- ❑ The item is not to be used, if it has been dropped or if there are visible signs of damage or if it is leaking.
- ❑ This appliance is only intended for household use.

SPECIAL WARNING FOR CHOPPER

- Always disconnect the appliance from power supply if it is left unattended and before assembling, disassembling or during cleaning.
- Switch off the appliance and disconnect from supply before changing accessories approaching parts that move in use.
- Potential injuries can occur with misuse. Care shall be taken when handling the sharp cutting blades, emptying the bowl and during cleaning, as they are extremely sharp.
- Regarding the instructions for cleaning surfaces in contact with food or oil, thanks to refer to the below paragraph "cleaning and maintenance" in manual.
- Regarding the instructions for the use of accessories, operation times, refer to the below paragraphs.
- Do not use the device if it is empty
- The plastic bowl should not be heated or put in hot water.
- The plastic bowl should not be used in a microwave.
- Do not open until blades stop.

(*) **Competent qualified person:** after sales department of the producer or importer or any person who is qualified, approved and competent to perform this kind of repairs.

GENERAL INFORMATION

The symbol "OPEN BOOK" means a recommendation to read important things contained in the record.



The symbol "BIN" crossed out, abbreviation WEEE (Waste of Electrical and Electronic Equipment) means that at the end of life, it should not be discarded with household waste, but filed to the sorting of the locality. Waste recovery can help preserve our environment.



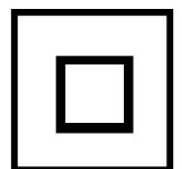
The symbol "CE" is the guarantee of compliance with harmonized European standards, voluntary, reflecting the essential requirements into technical specifications. These standards are not mandatory but are guarantees of compliance with essential requirements.



The symbol ROHS (Restriction of use of some Hazardous Substances) on the Environmental Protection, certifies that for each of the five hazardous substances • Lead • Mercury • (hexavalent) chromium • products for protection against flames PBB and PBDE, the peak concentration is equal to or less than 0.1% of the weight of homogeneous material, and 0.01% for the 6th • cadmium.



The symbol "DOUBLE SQUARE" means a double insulated. A basic insulation and supplementary insulation. This device requires no connection to the mass of a protective conductor grounded. The materials are said : double insulation class II.



The symbol "GLASS / FORK" means that the device is compatible and can come into contact with foodstuffs.



The symbol "TRIMAN" indicates that the consumer is invited to dispose the product as part of a separate collection (eg recycling bin, waste, voluntary intake point).



For more information : <http://www.quefairedemesdechets.fr>

The symbol " CMIM " is the guarantee of compliance with optional harmonized Moroccan Standards, which reflect the essential requirements in terms of technical specifications. These standards are not mandatory but ensuring compliance with the essential requirements.



CLEANING AND MAINTENANCE

Before cleaning, always switch off the appliance, disconnect the apparatus and let it cool.

Clean the outside of the apparatus with a sponge or slightly wet linen.

The parts (removable) in contact with food like plate, bowl, forks, Spatula etc. can be washed in hot water with sponge and soft detergent or put in the dishwasher.

Never plunge the apparatus in water or all other liquid!

Do not use abrasive cleaners, gritting, or metal brush or another cutting object.

The blade can be cleaned under hot water, warm water and liquid detergent or in the dishwasher.

Caution : Take all necessary precautions when cleaning the blade because it is very sharp and can cause serious cuts !

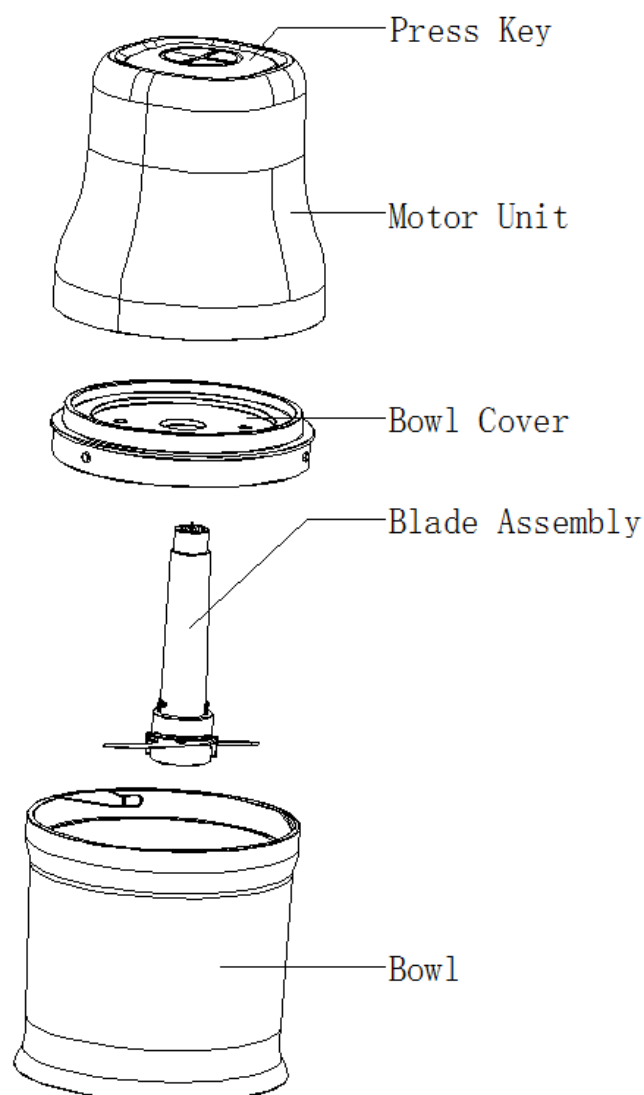
Always disconnect the appliance from the power outlet before cleaning.

Wash the bowl, blade assembly immediately after use either with warm/sudsy water or in the dishwasher. Wipe off the motor unit with a damp cloth- do not immerse in water.

NOTE: Do not use chemical, steel, wooden or abrasive cleaners to clean the unit to prevent the gloss loss.

TO KNOW ITS UNIT

1. Press Key (Bouton)
2. Motor Unit (Moteur)
3. Bowl Cover (Couvercle du bol)
4. blades assembly (Couteau)
5. Bowl (Bol)



FIRST USE

Before using this appliance for the first time, wash the bowl and blade assembly in sudsy water and dry thoroughly, all of these parts are safe in dishwasher, wipe the motor unit with a damp cloth, do not immerse the motor unit in water.

Before first use, remove the device and all accessories and being careful with sharp accessories.

- Clean the apparatus according to the instructions in "Cleaning and maintenance" paragraph.
- Place the machine on a suitable flat, stable surface.

USE

- Unroll the power cord completely.

- Check that the tension in force in the country where you are, corresponds to that indicated on the apparatus.
- Connect the apparatus in a correct socket-outlet, (and connected to the ground if the unit is Class I), to avoid any danger.
- Disconnect the power source cable before any operation of cleaning of maintenance and accessories assembly.
- Never modify the appliance in anyway.
- The device should not be left unattended when connected to the main power supply.

HOW TO CHOP OR MINCE FOOD

1. Place the bowl on a counter or other flat surface, then slide the blade down over the shaft in the bowl. Be careful not to touch the blade as it is extremely sharp.
2. Place dry food in the bowl, the desired food refers to the chopping guide.
3. Position the motor unit onto the bowl, lining up the motor unit locking tabs to the bowl locking slots till the motor unit locks.
Note: For your protection, this unit has a lid locking system, the unit will not operate unless the tabs in the motor unit and slots in the bowl align. Do not attempt to operate the unit without locking the motor unit in place.
4. Depress and hold the pulse button to process.
Note: This product has a “pulse action” feature. Avoid running the motor continuously in this mode for period over 30seconds. the longer the continuous pulse, the finer the texture. For coarsely chopped foods, use short pulses.
5. Be sure the blade stops rotating completely before removing the motor unit. Unplug the unit. Remove the motor unit and grasp the plastic blade hub. carefully pull the blade assembly out. Remove the bowl and empty the processed food. Do not use bowl for storing food.

CHOPPING GUIDE

FOOD TYPE	PREPARATION HINTS
Bread fresh, toasted or stale	Use 1 slice at a time, torn into several pieces.
Fruits and vegetables Canned Cooked Fresh	Drain up to 100g and process 15 seconds ON 1 minutes OFF until pureed as desired. Use up to 100g plus cooking liquid as needed and process ON 15seconds OFF 1minutes until pureed is desired. Pulse or process up to 100g chunked fruits or vegetables ON 15seconds OFF 1minutes until desired chop is reached.
Parsley and other leafy herbs	Wash and dry thoroughly then pulse or process up to 120g ON 15seconds OFF 1minutes until desired chop is achieved.
Nuts	Pulse or process up to 100g ON 15seconds OFF 1minutes until desired chop is reached.
Cookies, crackers	Pulse or process up to 120 cookies or crackers ON 15seconds OFF 1minutes until desired chop is reached.
Fresh beef or pork Cut into 60mm*20mm*20mm bulk	Pulse or process up to 60g ON 15seconds OFF 1minutes until desired chop is reached.

USEFUL TIPS

- 1 Make sure you put the blade in place before filling the bowl with food.
- 2 If the blade does not turn easily, immediately stop the machine, disassemble the parts and remove anything that prevents proper operation.
- 3 If the blades do not rotate at a normal speed, stop the unit and remove some of the ingredients.
- 4 For regular hashing, use pieces of the same size.

STORAGE

- Ensure the unit is completely cool and dry.
- Do not wrap the cord around the appliance, as this will cause damage.
- Keep the appliance in a cool, dry place and out of reach from children.

GUARANTEE IN ACCORDANCE WITH REGULATIONS

Before being delivered, all our products are subjected to rigorous checks. This device is guaranteed for 24 months from the date of purchase of the product by the consumer.

The warranty documents are:

- the invoice and
- the warranty certificate (located on the side or the bottom of the box) stamped and completed.

Without these supporting documents, no free replacement or free repair can be made.

During the warranty period, we take charge, free of charge, for defects in the device or accessories, resulting from a defect in materials or workmanship by repair or replacement.

Services under the legal guarantee do not entail any extension of the guarantee period and do not give the right to a new guarantee.

In the event of a warranty claim, return the complete device to your dealer, in its original packaging, accompanied by proof of purchase.

The breakage of glass or plastic parts is, in all cases, your responsibility.

Wearing parts (for example: motor brushes, hooks, drive belts, spare remote control, spare toothbrushes, saw blades etc.) as well as their cleaning, maintenance or replacement, are not guaranteed. , and are therefore at your expense.

In the event of foreign intervention, the guarantee lapses.

After expiry of the warranty period, repairs can be carried out, against payment, by a specialist dealer or a repair service.

SPECIFICATIONS

Power supply	220-240V~ 50-60Hz
Power	200W
Norm	Class II

Made in PRC

The characteristics can change without prior notice.

CAUTION: In order to minimize the risks of electric shock, In the event of breakdown, not to open the case but to call upon a qualified technician for repairs.

This device complies with EC directives, it was controlled according to all current European directives, applicable such as: electromagnetic compatibility (EMC) and low voltage (LVD).

This device has been designed and manufactured in compliance with the latest regulations and technical requirements for safety.

NOVEMBER 2023