

RECHARGEABLE SHAVER

INSTRUCTION MANUAL



Dear consumer, Please read these instructions carefully before use in order to avoid damage due to incorrect use and to better understand the functions of this product. Please pay particular attention to the safety guide. If you pass the device on to a third party, these Operating Instructions must also be handed over. Please keep them for future references.

IMPORTANT SAFEGUARDS

- Please read these instructions carefully before use.
- Keep present instructions for future references.
- Check that your mains voltage corresponds to that stated on the appliance.
- Keep the appliance dry.
- This appliance contains batteries that are non-replaceable.
- For the purposes of recharging the battery, only use the detachable supply unit provided with this appliance.
- Only use the appliance for domestic purposes and household or similar applications such as:
 - staff kitchen areas, in shops, offices and other working environments;
 - by clients in hotels, motels and other residential type environments;
 - Environment type like :
 - Farm Houses • Bed and Breakfast.
- Only use the appliance in the way indicated in these instructions.
- Never use this unit near bathtub, shower, wash-hand basins or other containers with water.
- Never use this apparatus near water projections.
- Never use this apparatus with the wet hands.
- If, unfortunately the apparatus is wet, immediately withdraw the cord of the socket-outlet.
- Inform potential users of these instructions.
- Never leave the appliance unsupervised when in use.
- The appliance must be used only for its intended purpose. No responsibility can be taken for any possible damage caused by incorrect use or improper handling.
- This appliance can be used by children aged from 8 years and above and persons with reduced physical, sensory or

mental capabilities or lack of experience and knowledge if they have been given supervision or instruction concerning use of the appliance in a safe way and understand the hazards involved.

- ❑ Children shall not play with the appliance.
- ❑ Cleaning and user maintenance shall not be made by children without supervision.
- ❑ This device is not a toy, do not leave small children or people with disabilities to play with.
- ❑ In order to ensure your children's safety, please keep all packaging (plastic bags, boxes, polystyrene etc.) out of their reach.
- ❑ Caution ! Do not allow small children to play with the foil :
THERE IS A DANGER OF SUFFOCATION !
- ❑ From time to time check the cord for damages. Never use the appliance if cord or appliance shows any signs of damage.
- ❑ Never immerse the appliance in water or any other liquid for any reason whatsoever.
- ❑ Never place it into the dishwasher.
- ❑ Never use the appliance near hot surfaces.
- ❑ Disconnect the power source cable before any operation of cleaning of maintenance and accessories assembly.
- ❑ Never use accessories, which are not recommended by the producer. They could constitute a danger to the user and risk to damage the appliance.
- ❑ The appliance is only to be used with the power supply unit provided with the appliance.
- ❑ The appliance must only be supplied at safety extra low voltage corresponding to the marking on the appliance.
- ❑ Never move the appliance by pulling the cord. Make sure the cord cannot get caught in any way.
- ❑ Never wind the cord around the appliance and do not bend it

- ❑ Ensure that the power cord does not come into contact with hot parts of this unit.
- ❑ Make sure the appliance has cooled down before cleaning and storing it.
- ❑ The temperature of accessible surfaces may be very high when the appliance is operating. Never touch these parts, of apparatus, to avoid burning itself.
- ❑ Make sure the appliance never comes into contact with flammable materials, such as curtains, cloth, etc...& the power cord and plug do not come in contact with water.
- ❑ Before cleaning, always unplug the appliance from the power supply and let it cool down.
- ❑ This appliance is not intended to be operated by means of an external timer or separate remote-control system.
- ❑ Always place the unit on a flat surface. Ensure, also, not to cover the device and not to put anything on it.
- ❑ Always remove the plug from the wall socket when the appliance is not in use.
- ❑ When using an extension lead always make sure that the entire cable is unwound from the reel. Use solely CE approved extension leads. Input power must be at least 16A, 250V, 3000W.
- ❑ Incorrect operation and improper use can damage the appliance and cause injury to the user.
- ❑ This device complies with standards relating to this type of product.

(*) **Competent qualified person** : after sales department of the producer or importer or any person who is qualified, approved and competent to perform this kind of repairs.

GENERAL INFORMATION



The symbol "OPEN BOOK" means a recommendation to read important things contained in the record.

The symbol "BIN" crossed out, abbreviation WEEE (Waste of Electrical and Electronic Equipment) means that at the end of life, it should not be discarded with household waste, but filed to the sorting of the locality. Waste recovery can help preserve our environment.



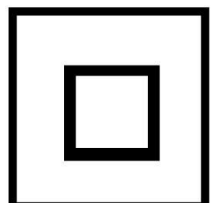
The symbol "CE" is the guarantee of compliance with harmonized European standards, voluntary, reflecting the essential requirements into technical specifications. These standards are not mandatory but are guarantees of compliance with essential requirements.



The symbol ROHS (Restriction of use of some Hazardous Substances) on the Environmental Protection, certifies that for each of the five hazardous substances • Lead • Mercury • (hexavalent) chromium • products for protection against flames PBB and PBDE, the peak concentration is equal to or less than 0.1% of the weight of homogeneous material, and 0.01% for the 6th • cadmium.



The symbol "DOUBLE SQUARE" means a double insulated. A basic insulation and supplementary insulation. This device requires no connection to the mass of a protective conductor grounded. The materials are said : double insulation class II.



The symbol "TUB / SHOWER" crossed out means to never use the unit in a bathroom, a shower in or near water spray. (IP20 Minimum distance 3M.)

The symbol "TRIMAN" indicates that the consumer is invited to dispose the product as part of a separate collection (eg recycling bin, waste, voluntary intake point).

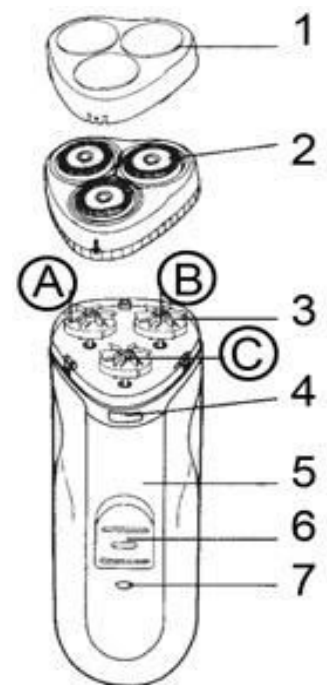


For more information : <http://www.quefairedemesdechets.fr>
The symbol "CMIM marking" is the guarantee of compliance with the harmonized Moroccan Standards, optional, which translate the essential requirements into technical specifications. These standards are not mandatory but guarantee compliance with the essential requirements.

RECHARGEABLE SHAVER

TO KNOW HIS UNIT

1. Protective cover of the cutting blades
2. Micro stainless steel grid
3. Cutting heads (A - B - C)
4. Eject button of the shaver head
5. Body
6. On / Off switch
7. Charging indicator light



Charging

1. Push the switch down and close electrical power.
- The charging indicator is on, which shows that it is charging.
2. After 8 to 10 hours, charging is over.
3. At first using, be sure the battery is completely discharged, before charging, which can durable the battery.
4. The shaver can be used for about 5 or 6 times for shaving.

Shaver

1. Take off the shelter and press the switch.
2. Softly touch your skin and move in the contrary growth direction of beards slowly.
 - If you stretch your skin tightly, you can obtain better effect.
3. Once the shaving is over, push the switch down at once and cover it with the shelter.

NOTE: Charging time can't exceed 15 hours or it affects the life of battery, even damages the line.

Trimmer

1. Open the back cover and pull off the trimmer.
2. Softly touch your skin in the right-angle direction with the trimmer and trim slowly.
3. After using, push down the switch and cover it with the shelter.
4. Press the switch and take off the shelter. Press the outer-cutter button and take off the outer cutter. Clean the beards on the outer cutter, the inner cutter and the body (1 time a week).
5. After cleaning, assemble the outer cutter and the inner cutter on the original position and cover it with the shelter.
 - Don't press the net shelter.
 - Don't prizes open the net shelter with a screw with a screw driver.
 - Do not change the positions of A B C heads and the directions of net cover so as to avoid the affection to the normal operation of razor.

CLEANING AND MAINTENANCE

1. Remove the protective cover of the grid
2. Press the button (located under the head) to separate the shaver head and body.
3. Also press the button on the back of the unit to remove the trimmer.
4. Remove the beard hairs with the brush provided and, if necessary, use a damp cloth to clean the body.
5. After cleaning, reassemble the razor head with body in accordance with the initial position and place the trimmer on the original position.
6. Replace the cover.

Before cleaning, always: switch off the appliance, disconnect the apparatus and let it cool.

Clean the outside of the apparatus with a sponge or slightly wet linen.

Never plunge the apparatus in water or all other liquid!

Do not use abrasive cleaners, gritting, or metal brush or another cutting object.

STORAGE

- Ensure the unit is completely cool and dry.
- Do not wrap the cord around the appliance, as this will cause damage.
- Keep the appliance in a cool, dry place.

GUARANTEE

Before being delivered, all our products are subjected to a rigorous control. This apparatus is guaranteed 24 months starting from the date of purchase of consumer.

The documents in proof of guarantee are:

- The invoice and
- The filled and stamped warrantee plate (located on side or bottom of the gift box). Without these documents in proof, no free replacement, nor no free repair, can be carried out.

During the warranty period, we deal for free, the defects of the apparatus or the accessories, rising from a defect of materials or manufacture by repair or, replacement. The services within the framework of the guarantee do not involve any extension of the warranty period and does not give right to a new guarantee! In the event of recourse to the guarantee, bring back the complete apparatus to your retailer, in its original packing, accompanied by the proofs of purchase.

The breakage of parts out of glass or plastic is, in all the cases, not warranted. Defects on the accessories or the wearing parts (for example: coals of engines, hooks, drive belts, remote control of replacement, teeth brushes of replacement, webs etc) as well as cleaning, maintenance or it replacement of wearing parts are not guaranteed and are thus to pay!

In the event of foreign intervention, the guarantee becomes null and void.

After flow of the warranty period, repairs can be carried out, against payment, by a specialized trade or a repair service.

SPECIFICATIONS

Power supply 2,4Vd.c. / Ni-MH LR6 or AA - 600mAh battery

ADAPTER

Power supply	Input	: 100-240V~ 50/60Hz
	Output	: 3.0 V d.c. 1.0A 3.0W
Norm	Class II	

INFORMATION PUBLIEE INFORMATION PUBLISHED	VALEUR ET PRECISION VALUE AND PRECISION	UNITE UNIT
MARQUE BRAND	TECHWOOD Sotech International Commercial Registration Number/N°SIRET: 4250992000016 33 Avenue du Maréchal de Lattre de Tassigny	

	94120 Fontenay sous Bois - France	
REFERENCE MODEL IDENTIFIER	TRZ-939 – TRZ-956	
Tension d'Entrée Input Voltage	100-240	V
Fréquence du CA d'entrée Input AC frequency	50/60	Hz
Tension de sortie Output voltage	3.0	V
Courant de sortie Output current	1.0	A
Puissance de sortie Output power	3.0	W
Rendement moyen en mode actif Average active efficiency	71.59	%
Rendement à faible charge (10%) Efficiency at low load (10%)	-	%
Consommation électrique hors charge No-load power consumption	0.052	W

The characteristics can change without preliminary preventing

For additional protection, the installation of a residual current device with a rated residual operating current not exceeding 30 mA is advisable in the electrical circuit supplying the bathroom. Ask your installer for advice.

CAUTION: In order to minimize the risks of electric shock, In the event of breakdown, not to open the case but to call upon a qualified technician for repairs.

This apparatus satisfied EC directives, it was controlled according to all the European current directives, like: electromagnetic compatibility (EMC) and low tension (LVD).

This apparatus was designed and manufactured in respect of the last safety regulations and technical specifications.

ENVIRONMENTAL PROTECTION (Destruction of Ni-MH or Ni-Cd batteries)
The appliance must be disconnected from the main power, when the battery is removed.

- Disassemble the two parts of the unit and remove the battery.
- THE BATTERY MUST BE REMOVED BEFORE THE UNIT IS GIVEN TO REBUS.
- THE BATTERY MUST BE ELIMINATED IN A SAFE WAY.

**Imported by Sotech International
" LE PERIPOLE " N°A107**

**33, Avenue du Marechal de Lattre de Tassigny
94120 Fontenay sous bois - France**