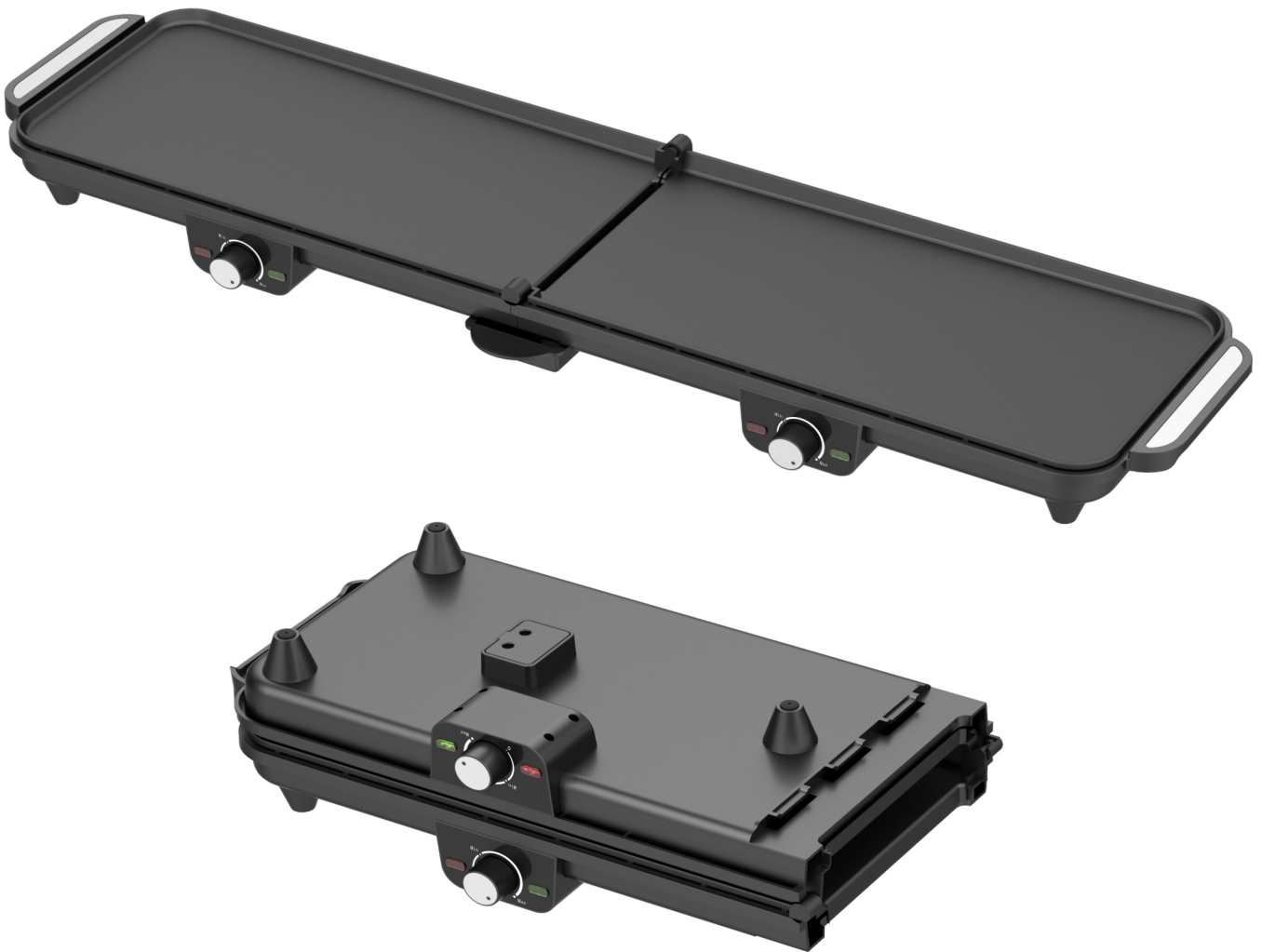


### TEPPAN YAKI / GRILL INSTRUCTION MANUAL



Dear consumer, Please read these instructions carefully before use in order to avoid damage due to incorrect use and to better understand the functions of this product. Please pay particular attention to the safety guide. If you pass the device on to a third party, these Operating Instructions must also be handed over. Please keep them for future references.

## IMPORTANT SAFEGUARDS

- ❑ Please read these instructions carefully before use.
- ❑ Keep present instructions for future references.
- ❑ Check that your mains voltage corresponds to that stated on the appliance.
- ❑ Only use the appliance for domestic purposes and household or similar applications such as:
  - staff kitchen areas, in shops, offices and other working environments;-by clients in hotels, motels and other residential type environments;
  - Environment type like :
    - Farm Houses • Bed and Breakfast.
- ❑ Only use the appliance in the way indicated in these instructions.
- ❑ Never use this unit near bathtub, shower, wash-hand basins or other containers with water.
- ❑ Never use this apparatus near water projections.
- ❑ Never use this apparatus with the wet hands.
- ❑ If, unfortunately the apparatus is wet, immediately withdraw the cord of the socket-outlet.
- ❑ Inform potential users of these instructions.
- ❑ Never leave the appliance unsupervised when in use.
- ❑ The appliance must be used only for its intended purpose. No responsibility can be taken for any possible damage caused by incorrect use or improper handling.
- ❑ Children and persons with disabilities are not always aware of the danger posed by the use of appliances.
- ❑ This appliance can be used by children aged from 8 years and above and persons with reduced physical, sensory or mental capabilities or lack of experience and knowledge if they have been given supervision or instruction concerning use of the appliance in a safe way and understand the hazards involved.

- ❑ Children shall not play with the appliance. Cleaning and user maintenance shall not be made by children unless they are older than 8 and supervised.
- ❑ Keep the appliance and its cord out of reach of children less than 8 years.
- ❑ Regarding the instructions for cleaning surfaces in contact with food, please refer to the below paragraph of the manual.
- ❑ In order to ensure your children's safety, please keep all packaging (plastic bags, boxes, polystyrene etc.) out of their reach.
- ❑ Caution ! Do not allow small children to play with the foil :  
**THERE IS A DANGER OF SUFFOCATION !**
- ❑ From time to time check the cord for damages. Never use the appliance if cord or appliance shows any signs of damage.
- ❑ Never immerse the appliance in water or any other liquid for any reason whatsoever.
- ❑ Never place it into the dishwasher.
- ❑ Never use the appliance near hot surfaces.
- ❑ If the supply cord is damaged, it must be replaced by the manufacturer, its service agent or similarly Competent qualified person<sup>(\*)</sup> in order to avoid a hazard.
- ❑ Disconnect the power source cable before any operation of cleaning of maintenance and accessories assembly.
- ❑ Never use the appliance outside and always place it in a dry environment.
- ❑ Never use accessories, which are not recommended by the producer. They could constitute a danger to the user and risk to damage the appliance.
- ❑ Never use any other connector than the one provided.
- ❑ Never move the appliance by pulling the cord. Make sure the cord cannot get caught in any way.
- ❑ Never wind the cord around the appliance and do not bend it
- ❑ Ensure that the power cord does not come into contact with hot parts of this unit.

- ❑ Make sure the appliance has cooled down before cleaning and storing it.
- ❑ The temperature of accessible surfaces may be very high when the appliance is operating. Never touch these parts, of apparatus, to avoid burning itself.
- ❑ Make sure the appliance never comes into contact with flammable materials, such as curtains, cloth, etc...& the power cord and plug do not come in contact with water.
- ❑ Before cleaning, always unplug the appliance from the power supply and let it cool down.
- ❑ This appliance is not intended to be operated by means of an external timer or separate remote-control system.
- ❑ Always place the unit on a flat surface. Ensure, also, not to cover the device and not to put anything on it.
- ❑ Always remove the plug from the wall socket when the appliance is not in use.
- ❑ When using an extension lead always make sure that the entire cable is unwound from the reel. Use solely CE approved extension leads. Input power must be at least 16A, 250V, 3000W.
- ❑ Incorrect operation and improper use can damage the appliance and cause injury to the user.
- ❑ This device, designed for home use, complies with standards relating to this type of product.
- ❑ This appliance is only intended for household use.

(\*) **Competent qualified person** : after sales department of the producer or importer or any person who is qualified, approved and competent to perform this kind of repairs.

## **SPECIAL WARNING FOR BBQ & GRILL**

**WARNING:** Charcoal or similar combustible fuels must not be used with this appliance.

Take care not to scratch the specific coating of the hob because:

- o small fragments of this coating could mingle with food
- o the surface is irreparably damaged.

To avoid this, use a wooden spatula or a heat-resistant plastic model.

The Teppan Yaki Grill is equipped with a high quality non-stick coating. Pass a little oil on the plate before the first use. No fat is needed later.

**WARNING :**

1. In case of overheating of the device, the thermostat of built-in safety is triggered, causing the device (and indicator light) to turn off automatically.

Action:

- o Unplug the device
- o Wait 10 to 20 seconds and plug the unit back in. This will be ready for use again.

2. The temperature of the accessible surfaces may be high when the appliance is in use.

## CLEANING AND CARE

- Before cleaning, put the thermostat in its minimum position and make sure that the plug has been removed from the mains supply socket.
  - Let the grill to cool down thoroughly and unplug the thermostat from the appliance.
  - Never immerse the appliance or the plug in water or any other liquid. However, should there be water on the electric connection, wait until the appliance is completely dry before using it anew.
  - Wipe the outer surfaces of the grill with a damp cloth and dry afterwards.
  - The parts (removable) in contact with food like plate, bowl, forks, Spatula etc. can be washed in hot water with sponge and soft detergent or put in the dishwasher.
  - Do not use harsh abrasive cleaners as these might damage the non-stick coating.
1. Unplug the appliance.
  2. Let the appliance cool down properly in open position.
  3. First remove excess oil from the plates with a piece of kitchen paper before you clean them. Be careful not to burn yourself and especially not to soak the paper with water.
  4. Use a wooden or plastic spatula, heat resistant, to remove stick food residues (for example solidified cheese) from the cooking plates.  
Do not use metal, sharp or abrasive utensils.
  5. Clean the cooking plates with a moist soft cloth or sponge.
  6. Clean the outside of the appliance with a moist cloth.

### **Never immerse the appliance into water.**

- The appliance can be stored in a vertical position

## GENERAL INFORMATION

The symbol "OPEN BOOK" means a recommendation to read important things contained in the record.



The symbol "BIN" crossed out, abbreviation WEEE (Waste of Electrical and Electronic Equipment) means that at the end of life, it should not be discarded with household waste, but filed to the sorting of the locality. Waste recovery can help preserve our environment.



The symbol "CE" is the guarantee of compliance with harmonized European standards, voluntary, reflecting the essential requirements into technical specifications. These standards are not mandatory but are guarantees of compliance with essential requirements.



The symbol ROHS (Restriction of use of some Hazardous Substances) on the Environmental Protection, certifies that for each of the five hazardous substances • Lead • Mercury • (hexavalent) chromium • products for protection against flames PBB and PBDE, the peak concentration is equal to or less than 0.1% of the weight of homogeneous material, and 0.01% for the 6th • cadmium.



The symbol "HOT WALL" warns the user that the walls of the unit can become very hot, and to take precautions as required.



The symbol "GLASS / FORK" means that the device is compatible and can come into contact with foodstuffs.



The symbol "TRIMAN" indicates that the consumer is invited to dispose the product as part of a separate collection (eg recycling bin, waste, voluntary intake point).



For more information : <http://www.quefairedemesdechets.fr>

The symbol "CMIM marking" is the guarantee of compliance with the harmonized Moroccan Standards, optional, which translate the essential requirements into technical specifications. These standards are not mandatory but guarantee compliance with the essential requirements.



## BEFORE FIRST USE

- Clean the grill and the accessories (Cf. "Cleaning and care"). It is recommended to heat up the grill for about 10 minutes without any foodstuff in order to eliminate the grease that may have adhered during manufacture and The unit, might emit light smell. It is however no consequence and will be Briefly.
- Ventilate the room during this period.
- Insert the plug into the appliance, make sure the thermostat is on its minimum position (means "0")
- Insert the plug in an earthed power socket.
- Select the cooking temperature using the thermostat knob. The red and green pilot light (red and green) will come on, indicating that the appliance is heating.
- Preheat the grill to reach the ideal cooking temperature. When the appliance reaches the desired temperature, the green light will go out.
- Now put the foodstuffs onto the grilling surface.
- The grilling times vary according to the nature of the foodstuffs and to your personal taste.
- When grilling is finished switch off the grills to "0" and disconnect it.

CAUTION: Grill surface is very hot during use.



## USE

- Unroll the power cord completely.
  - Check that the tension in force in the country where you are, corresponds to that indicated on the apparatus.
  - Connect the apparatus in a correct socket-outlet, (and connected to the ground if the unit is Class I), to avoid any danger.
  - Disconnect the power source cable before any operation of cleaning of maintenance and accessories assembly.
  - Stand the appliance on a table or flat & stable surface.
  - The item must not be left unattended when it is connected to main supply.
  - The item is not to be used, if it has been dropped or if there are visible signs of damage.
  - Never modify the appliance in anyway.
- 
- Insert the plug into the appliance, make sure the thermostat is on its minimum position (means “0”)
  - Insert the plug in an earthed power socket.
  - Select the cooking temperature using the thermostat knob. The red and green pilot light (red and green) will come on, indicating that the appliance is heating.
  - Preheat the grill to reach the ideal cooking temperature. When the appliance reaches the desired temperature, the green light will go out.
  - Now put the foodstuffs onto the grilling surface.
  - The grilling times vary according to the nature of the foodstuffs and to your personal taste.
  - When grilling is finished switch off the grills to “0” and disconnect it.

### Making toasted sandwich

- Insert the plug into the appliance.
- Put the mains plug into the wall socket.
- The red power light and green power light will both illuminate to show that the sandwich maker is heating.
- Choice the temperature between 0/MIN/MAX with the temperature knob.
- Prepare the bread and filling for your sandwich while sandwich maker is pre-heating.
- Wait until the green on pilot light gets off, the sandwich maker is then at the correct temperature for use.
- To obtain an even golden-brown result, you can slightly butter the side of the bread in contact with the plate.
- Lay the slices of bread with the buttered side on the lower cooking plate, place your filling and cover with the second slices of bread with buttered side up. You can toast only one sandwich if you wish. For optimal result, fillings should be placed well within the sandwich slices.
- Lower the upper cooking plate carefully onto the bread until the sandwich maker is tightly clamped.
- Open the sandwich maker after 3-5 minutes and check whether the toasted sandwich is sufficiently ‘brown’. The cooking time required to obtain crisp brown sandwiches depends on the type of bread, fillings and your personal taste.

- Use a non-metallic utensil (e.g. Wooden spatula) to remove the toasted sandwich maker. Do not use sharp or abrasive kitchen utensils.
- After use, put the temperature to "0" on the 2 plates and unplug the item from the wall.
- Let the item cool down.
- Unplug the sandwich maker from the wall socket after use.

**Note:** During cooking, the green ready to cook pilot light cycles on and off to maintain the appliance at the correct temperature.

## **PRACTICAL HINTS**

- Frozen food should always be thawed before it is grilled.
- To grill meat, put the thermostat in its maximum position and preheat the grill. For other ingredients, choose the temperature accordingly.
- Never scratch the special non-stick coating. Use a wooden spatula or a heat resistant plastic spatula.
- Do not use sharp and/or pointed metal objects.
- When using only part of the grill surface, always place food in the center of each grill plate.

## **STORAGE**

- Ensure the unit is completely cool and dry.
- Do not wrap the cord around the appliance, as this will cause damage.-Keep the appliance in a cool, dry place and out of reach from children.

## GUARANTEE IN ACCORDANCE WITH REGULATIONS

- Regarding the return with packaging section, we will replace the existing sentence with "If you return a defective device, we recommend sending it in its original packaging or in well-protected packaging to avoid any damage."

Before delivery, all our products undergo a rigorous inspection.

This device is guaranteed for 24 months (parts and labor) from the date of purchase by the consumer.

Warranty proof includes:

- the invoice and/or receipt with the device model and date of purchase.

Without this proof, no free replacement or repair can be performed.

During the warranty period, we will repair or replace any defects in the device or accessories, free of charge, resulting from a material or manufacturing defect.

- Any repair or exchange will automatically extend the warranty by 6 months.

In the event of To claim under the warranty, return the complete device to your retailer, along with proof of purchase.

- If returning a defective device, we recommend sending it in its original packaging or in well-protected packaging to avoid damage.

- The warranty does not apply to fragile parts made of glass, ceramic, plastic, etc., unless their failure is attributable to a manufacturing or design defect.

Wearing parts (e.g., motor carbon brushes, hooks, drive belts, replacement remote controls, replacement toothbrushes, saw blades, etc.) and their cleaning, maintenance, or replacement are not covered by the warranty and are therefore your responsibility.

In the event of third-party intervention, the warranty becomes void.

After the warranty period has expired, repairs can be carried out, for a fee, by a specialist dealer or a repair service.

## SPECIFICATIONS

Power supply	:	220-240V~ 50-60Hz
Power	:	2200W
Plate Size	:	90x23 cm
Thermostat	:	Double adjustable thermostat control
Light	:	Power and ready light
Tray	:	With oil tray
Handle	:	Cool touch handle
Norm	:	Class I

Off mode power consumption: 0.42 W

NOTE: This appliance automatically switches to off mode when both thermostats are set to the OFF position.

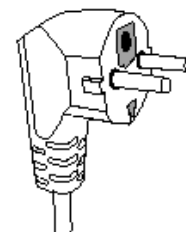
Made in PRC

*The characteristics can change without prior notice.*

This unit is equipped with an electrical outlet with earth and must be earthed in an according plug.

Note : In the event of question concerning the earth or electric connection, please consult a qualified personnel.

In the event of short-circuit, earthing reduces the risk of electric shock while making possible the current to be evacuated by the wire of ground.



CAUTION: In order to minimize the risks of electric shock, In the event of breakdown, not to open the case but to call upon a qualified technician for repairs.

This apparatus satisfied EC directives, it was controlled according to all the European current directives, like: electromagnetic compatibility (EMC) and low tension (LVD).

This apparatus was designed and manufactured in respect of the last safety regulations and technical specifications.